

**Instructions Manual**

**Manuel d'Instructions**

**Bedienungsanleitung**

**Manual de instrucciones**

**Εγχειρίδιο οδηγιών**

**Руководство по эксплуатации**

**Kullanım Kilavuzu**

## INDEX

EN

RECOMMENDATIONS AND SUGGESTIONS .....	4
CHARACTERISTICS .....	7
INSTALLATION .....	9
USE .....	19
MAINTENANCE .....	21

## SOMMAIRE

FR

CONSEILS ET SUGGESTIONS .....	23
CARACTERISTIQUES .....	26
INSTALLATION .....	28
UTILISATION .....	38
ENTRETIEN .....	40

## INHALTSVERZEICHNIS

DE

EMPFEHLUNGEN UND HINWEISE .....	42
CHARAKTERISTIKEN .....	45
MONTAGE .....	47
BEDIENUNG .....	57
WARTUNG .....	59

## INDICE

ES

CONSEJOS Y SUGERENCIAS .....	61
CARACTERÍSTICAS .....	64
INSTALACIÓN .....	66
USO .....	76
MANTENIMIENTO .....	78

## ΠΕΡΙΕΧΟΜΕΝΑ

GR

ΣΥΜΒΟΥΛΕΣ ΚΑΙ ΣΥΣΤΑΣΕΙΣ .....	80
ΧΑΡΑΚΤΗΡΙΣΤΙΚΑ .....	83
ΕΓΚΑΤΑΣΤΑΣΗ .....	85
ΧΡΗΣΗ .....	95
ΣΥΝΤΗΡΗΣΗ .....	97

## УКАЗАТЕЛЬ

RU

СОВЕТЫ И РЕКОМЕНДАЦИИ .....	99
ΧΑΡΑΚΤΗΡΙΣΤΙΚΑ .....	102
УСТАНОВКА .....	104
ЭКСПЛУАТАЦИЯ .....	114
УХОД .....	116

# İÇERİKLER

TR

TAVSİYELER VE ÖNERİLER.....	118
ÖZELLİKLER.....	121
MONTAJ.....	123
KULLANIM .....	133
BAKIM .....	135

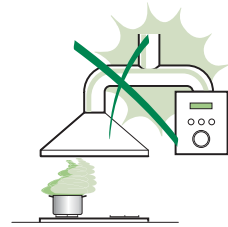
# RECOMMENDATIONS AND SUGGESTIONS

---

- △ The Instructions for Use apply to several versions of this appliance. Accordingly, you may find descriptions of individual features that do not apply to your specific appliance.

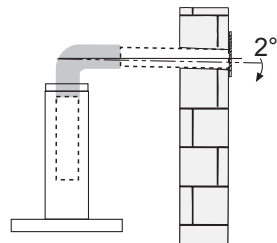
## INSTALLATION

- The manufacturer will not be held liable for any damages resulting from incorrect or improper installation.
- The minimum safety distance between the cooker top and the extractor hood is 650 mm (some models can be installed at a lower height, please refer to the paragraphs on working dimensions and installation).
- Check that the mains voltage corresponds to that indicated on the rating plate fixed to the inside of the hood.



- For Class I appliances, check that the domestic power supply guarantees adequate earthing. Connect the extractor to the exhaust flue through a pipe of minimum diameter 120 mm. The route of the flue must be as short as possible.
- Do not connect the extractor hood to exhaust ducts carrying combustion fumes (boilers, fireplaces, etc.).

- If the extractor is used in conjunction with non-electrical appliances (e.g. gas burning appliances), a sufficient degree of aeration must be guaranteed in the room in order to prevent the backflow of exhaust gas. The kitchen must have an opening communicating directly with the open air in order to guarantee the entry of clean air. When the cooker hood is used in conjunction with appliances supplied with energy other than electric, the negative pressure in the room must not exceed 0,04 mbar to prevent fumes being drawn back into the room by the cooker hood.

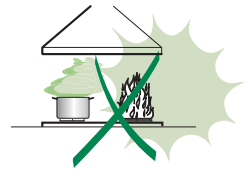


- In the event of damage to the power cable, it must be replaced by the manufacturer or by the technical service department, in order to prevent any risks.

- If the instructions for installation for the gas hob specify a greater distance specified above, this has to be taken into account. Regulations concerning the discharge of air have to be fulfilled.
- Use only screws and small parts in support of the hood.  
**Warning:** Failure to install the screws or fixing device in accordance with these instructions may result in electrical hazards.
- Connect the hood to the mains through a two-pole switch having a contact gap of at least 3 mm.

## USE

- The extractor hood has been designed exclusively for domestic use to eliminate kitchen smells.
- Never use the hood for purposes other than for which it has been designed.
- Never leave high naked flames under the hood when it is in operation.
- Adjust the flame intensity to direct it onto the bottom of the pan only, making sure that it does not engulf the sides.
- Deep fat fryers must be continuously monitored during use: overheated oil can burst into flames.
- Do not flambè under the range hood; risk of fire.
- This appliance can be used by children aged from 8 years and above and persons with reduced physical, sensory or mental capabilities or lack of experience and knowledge if they have been given supervision or instruction concerning use of the appliance in a safe way and understand the hazards involved. Children shall not play with the appliance. Cleaning and user maintenance shall not be made by children without supervision.




- **“CAUTION:** Accessible parts may become hot when used with cooking appliances.”

## MAINTENANCE

- Switch off or unplug the appliance from the mains supply before carrying out any maintenance work.
- Clean and/or replace the Filters after the specified time period (Fire hazard).
- The Grease filters must be cleaned every 2 months of operation, or more frequently for particularly heavy usage, and can be washed in a dishwasher.
- The Activated charcoal filter is not washable and cannot be regenerated, and must be replaced approximately every 4 months of operation, or more frequently for particularly heavy usage.
- "Failure to carry out cleaning as indicated will result in a fire hazard".
- Clean the hood using a damp cloth and a neutral liquid detergent.

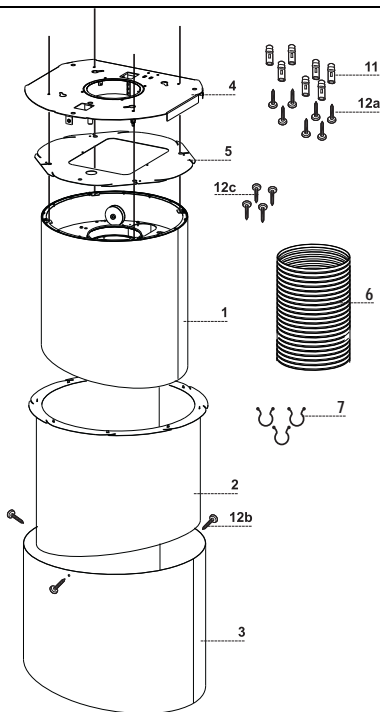


The symbol  on the product or on its packaging indicates that this product may not be treated as household waste. Instead it shall be handed over to the applicable collection point for the recycling of electrical and electronic equipment. By ensuring this product is disposed of correctly, you will help prevent potential negative consequences for the environment and human health, which could otherwise be caused by inappropriate waste handling of this product. For more detailed information about recycling of this product, please contact your local city office, your household waste disposal service or the shop where you purchased the product.

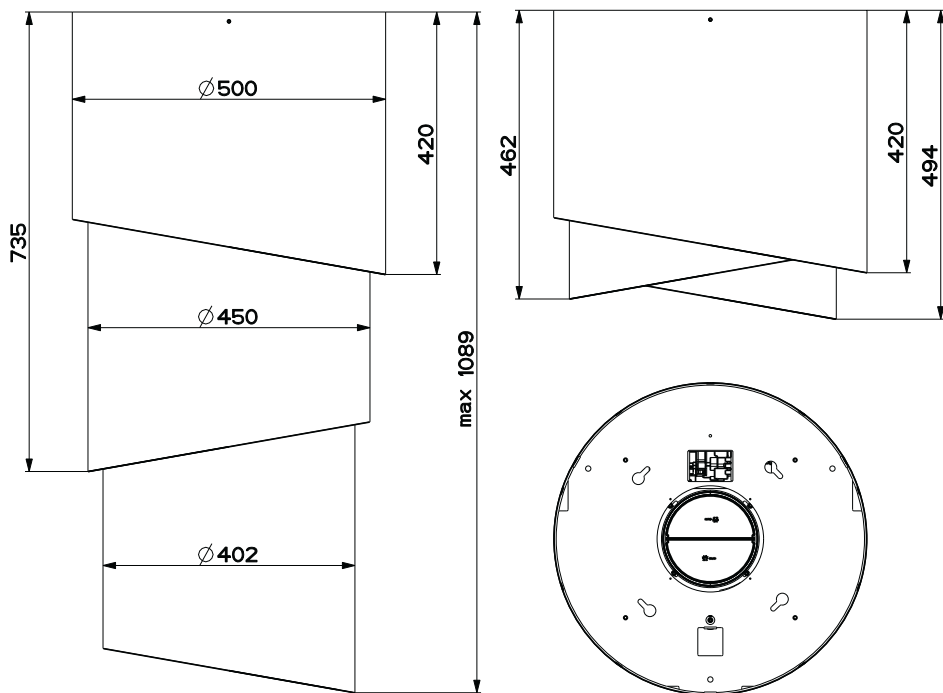
# CHARACTERISTICS

## Components

Ref.	Q.ty	Product Components
1	1	Hood Canopy complete with: Controls, Light, Filters, Motor.
2	1	Intermediate Hood Canopy
3	1	Ceiling mounted Hood Canopy
4	1	Hood support plate + Flange
5	1	Upper Hood canopy panel
6	1	Pipe
7	3	Clamps to fix the Power Cable
Ref.	Q.ty	Installation Components
11	7	Wall plugs $\varnothing$ 10
12a	7	Screws 4.2 x 44.4
12b	3	Fixing knobs
12c	4	Screws 3.5 x 9.5
Q.ty	Documentation	
1	Instruction Manual	



## Dimensions





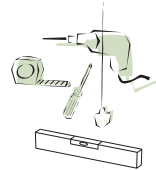
# INSTALLATION

This hood is designed to be mounted on the ceiling/on a shelf, above a free-standing Hob (min. 650 mm), in:

- **Ducting version:** Evacuation to the outside.

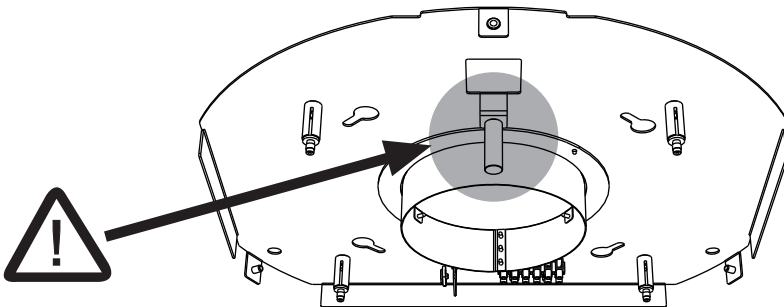
## Sequence of operations - Installation

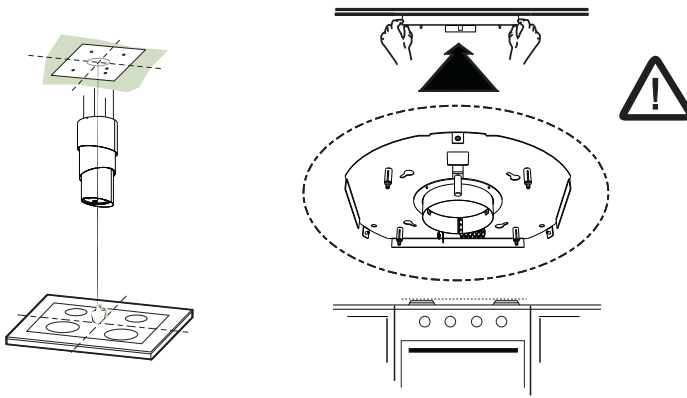
- **Preparing for installation**
- **Drilling the Ceiling/Shelf and Fixing the support plate**
- **Connections**
- **Fitting the hood body**
- **Functional Check**
- **Disposal of Packaging**



## Preparing to fit the Plate

- Take the Plate and position it the right way round, as shown in the figure. The pawl must face towards the installer.





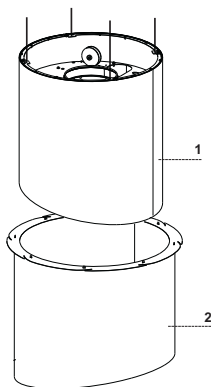
## Ceiling/Shelf drilling and Plate Fixing

### CEILING/SHELF DRILLING

- Use a plumb-line and mark the centre of the cooking hob on the Support Ceiling/Shelf
- Rest the Plate against the Ceiling/Shelf, making sure it is the right way up, as shown in the figure.
- Mark the centres of the holes in the plate.
- Drill the following points:
  - Ceilings in solid concrete: As per concrete plugs used.
  - Ceilings in hollow bricks with 20 mm resistance thickness: Drill a hole  $\varnothing$  10 mm (insert Plugs **11** supplied immediately).
  - Ceilings with Wood Beams: As per Wood Screws used (not supplied).
  - Wooden shelf, with a resistant thickness of 15 mm: drill a hole  $\varnothing$  7 mm.
  - Feeding the electric supply cable: drill a hole  $\varnothing$  10 mm.
- Insert two screws, crossing them and leaving 4-5 mm from the ceiling:
  - for solid concrete, concrete plugs, not provided.
  - for hollow bricks with approx. 20 mm resistance thickness, screws **12h**, provided.
  - for wooden beams, wood screws, not provided.
  - for wooden shelves, screws with washers and nuts, not provided.

## FIXING (HOOD CANOPY + INTERMEDIATE HOOD CANOPY)

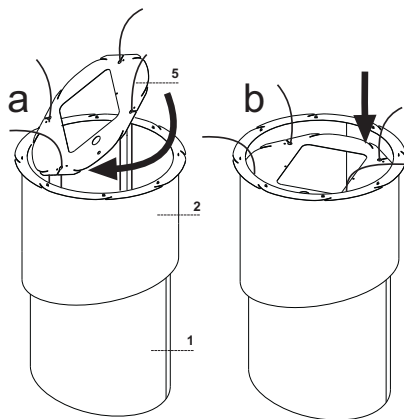
- Insert the Hood Canopy **1** into the Intermediate Hood Canopy **2**.



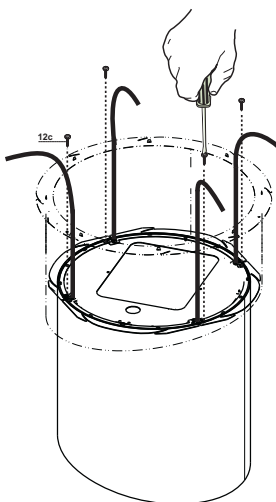
- Take the upper Hood Canopy Panel **5** and insert it as shown in the figure.

### Warning!

the upper Hood Canopy Panel **5** must be inserted first on one side and then on the other, using the rounded edges and taking care not to damage the Cables that have to pass through the slots provided.



- Lower the panel until it rests on the Hood Canopy **1**, then fasten it in place with the 4 screws **12c** provided.

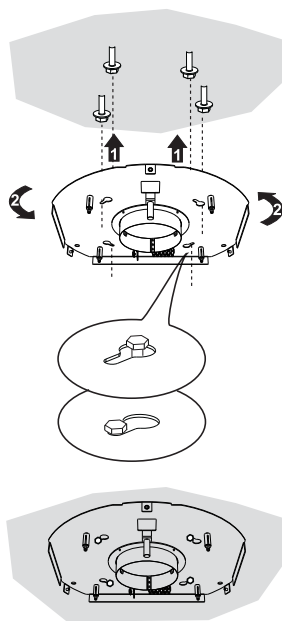


## FIXING THE PLATE

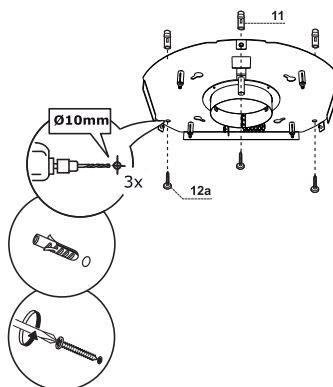
- Lift up the Fixing plate and fit the slots onto the two screws previously inserted in the ceiling, and turn until they are at the centre of the adjustment slot.

**Warning:** The plate must be facing in the direction shown in the figure

- Tighten the two screws completely and screw in the other two provided; before locking the screws completely it is possible to make adjustments by turning the piece, making sure that the screws do not come out of the adjustment slot.
- The unit must be securely fastened both due to the weight of the Hood and the stress caused by occasional sideways pressure on the Appliance when in position. Once the unit has been fixed, make sure that the plate is stable.
- In all cases where the Ceiling is not sufficiently strong at the point of suspension, the Installation technician must strengthen it with suitable plates and counterplates, anchored to structurally sound elements.
- Check that the plate is level on the ceiling.



- Should it be considered advisable, the hood can be fixed to the wall using 3 more screws and wall plugs.



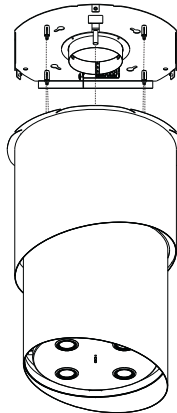
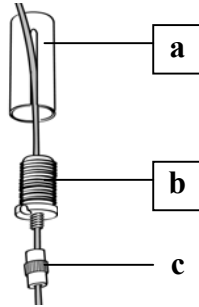
## CONNECTING HOOD-PLATE CABLES

**N.B.** Before proceeding with installation the Hood must be raised to a height of at least 650 mm above the cooker hob by means of a support or with the assistance of another person.

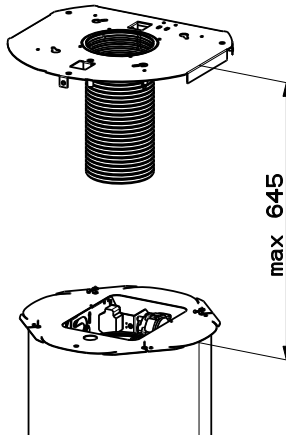
⚠ This operation is essential, as the Hood Cables are to be connected to the Plate mounted on the ceiling, and this **must** be done without the weight of the Hood bearing down on the structure.

The system used to fix the 4 Cables comprises 3 components:

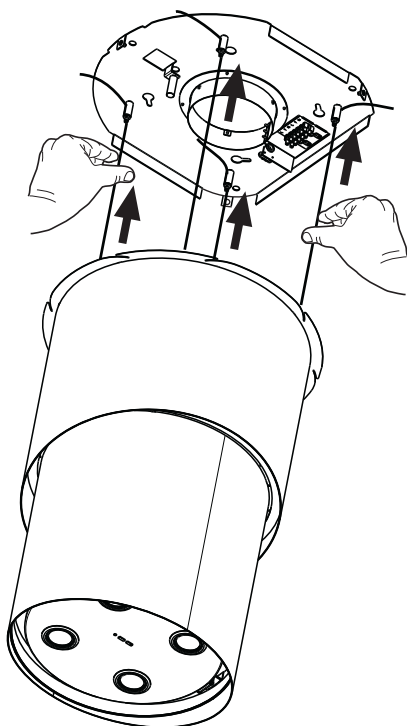
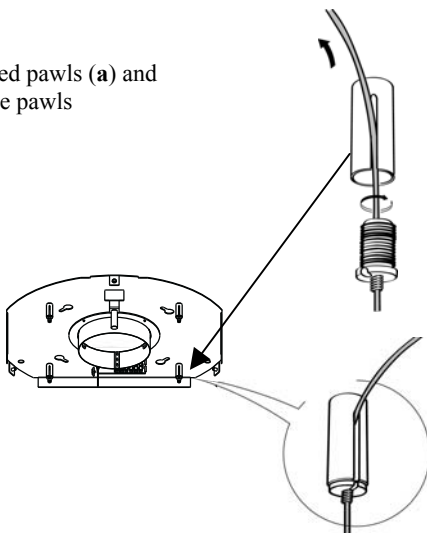
- Threaded pawl (a) already mounted on the ceiling Plate.
  - Cable locking screw (b), provided.
  - Safety knob (c), provided.
- Insert the safety knobs (c) into the respective cables, with the thread to the top.
  - Insert the cable locking screws (b) into the respective cables.
- Pay attention to the direction in which the Plate is fixed to the ceiling (the Plate limit pawl has a corresponding hole on the Hood canopy).



⚠ **Warning:** The maximum extension for movement of the Hood must not exceed 645mm.



- Pass the Cables into the slots on the threaded pawls (a) and tighten the cable locking screws (b) into the pawls themselves.
- When the operation has been completed, the result should be as shown in the figure for all 4 cables.



- At this point, all 4 cables are now connected to the Plate.

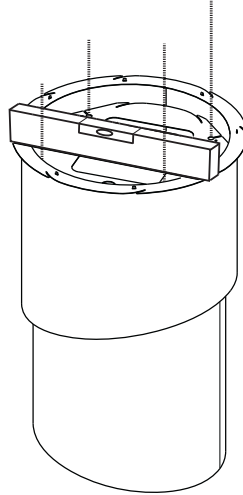
**Tension the Cables by pushing them upwards, so that they slide inside the cable locking screw and out through the slot in the threaded pawl.**

**This is possible because the cable locking screw involves a system that allows the Cable to slide in one direction only, preventing it from sliding in the other direction.**

**Make sure that the Cables are all the same length, to facilitate final levelling operations. The left front cable must not be slacker than the others.**

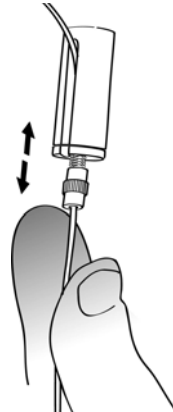
## LEVELLING THE HOOD

- The hood canopy must be levelled.
- The Hood is levelled by adjusting the safety pawls C.



- Rest a spirit level on the hood.

- Exerting an upwards pressure on the safety knobs “unlocks” movement of the Cable. By inserting or extracting the cable from the cable locking screw it is possible to make adjustments to level the mobile hood canopy.
- Once the hood has been set level, the safety knobs must be tightened.

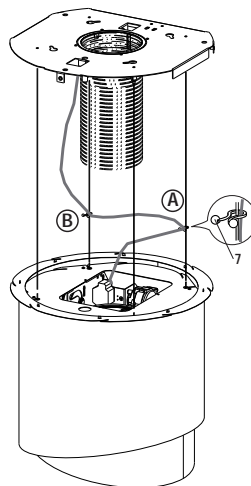


### Warning:

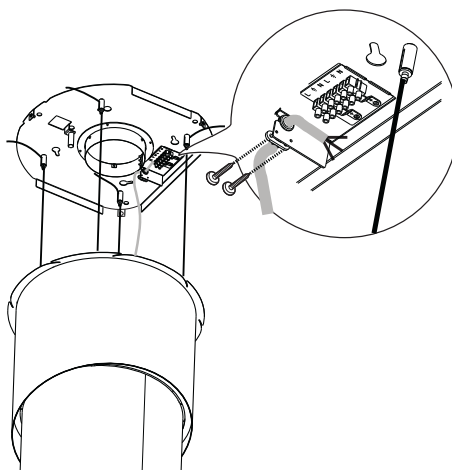
- Make sure that all 4 of the support cables are taut.
- Make sure that none of the 4 support cables have been damaged during installation.
- Remember that there must be a minimum distance of 650mm between the Hood and the cooker hob and the maximum extension of movement must not exceed 645mm.

## FIXING THE POWER SUPPLY CABLE

- Take the Power Cable coming from the wiring box and clamp it with the cable clamps 7 first to the right rear cable (A) and then to the left cable (B) as shown in the figure.



- Run the power cable up to the plate on the ceiling.
- Slot the rubber cable raceway already threaded onto the power cable into the slot to prevent future damage.
- Fix it to the bracket on the ceiling plate, using the tongue already fitted.
- Connect the Hood to the Mains Power Supply, inserting a bipolar switch with a contact aperture of at least 3 mm.



Finally, check that the power supply cable is properly locked, checking that when the mobile unit rises up towards the ceiling, it positions itself over the mobile unit and does not come out from the edge of the hood.

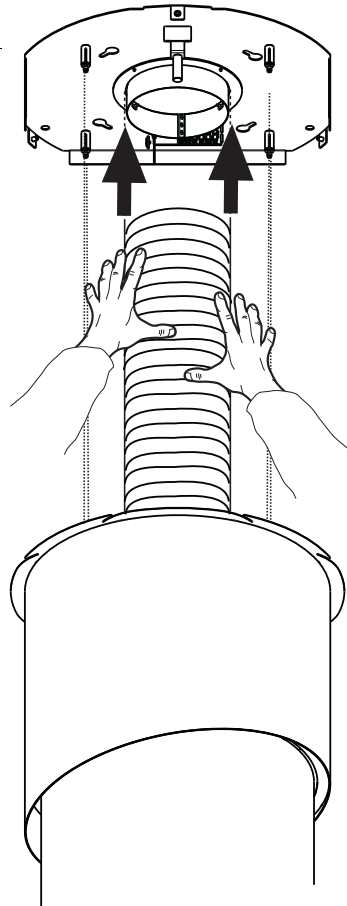


## Connections

### AIR OUTLET - DUCTING VERSION

To install in Ducting Version, connect the hood to the outlet pipe by means of an extending pipe  $\varnothing 150$ .

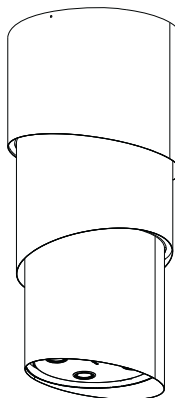
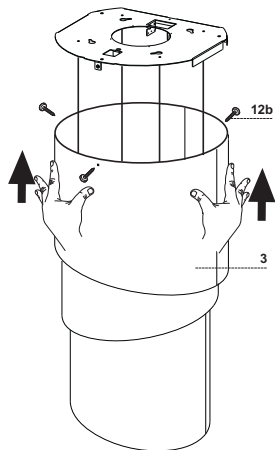
- Fix the pipe both to the Hood Canopy and to the Flange on the Ceiling plate, using suitable pipe clamps. The materials required to do so are provided.



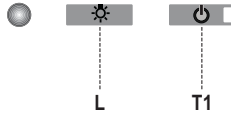
## FIXING (Intermediate Hood Canopy + ceiling mounted Hood Canopy)

---

- Carry out tests to check that the Hood works (see paragraph on Use).
- From below, insert the ceiling mounted Hood Canopy **3** into the part of the Hood Canopy hanging from the ceiling, making sure the direction is as shown in the figure.
- Using the 3 Screws **12b** provided, fix the ceiling mounted Hood Canopy **3** to the Plate on the ceiling.



## Control panel



Button	Function	Display
<b>L</b>	Turns the lights On/Off.	-
<b>T1</b>	<b>Hood Down</b> Press for 2 seconds to raise the Hood. Press briefly to turn the Motor On/Off.	On/Off
	<b>Hood Up</b> Press once: The Hood lowers. Press a second time: The Hood Stops. When the movement has been completed the motor turns on at Speed two.	Off/Off

### The electronic control system recognises and signals two types of fault.

Led T1	
<b>Slow flashing</b>	<p><b>Current absorption threshold exceeded:</b> If an overload condition occurs, the fault is signalled by LED <b>T1</b> on the keyboard flashing once every 2 seconds. Check that nothing is blocking normal hood movements. The signal remains active until a new hood open/close command is given.</p>
<b>Rapid flashing</b>	<p><b>Hood opening safety microswitch tripped:</b> If the safety microswitch trips, the fault is signalled by LED <b>T1</b> on the keyboard flashing quickly (once every 250 ms). This means that the hood has passed the microswitch..... <b>Call Technical Assistance!</b></p> <p>You can continue to use the hood's light and motor functions while this fault is active. Whenever the motor is on, LED <b>T1</b> will continue to flash, indicating that the fault is still present.</p>

## REMOTE CONTROL



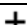



The appliance can be controlled using a remote control powered by a 1.5 V carbon-zinc alkaline batteries of the standard LR03-AAA type (not included).

- Do not place the remote control near to heat sources.
- Used batteries must be disposed of in the proper manner.



### Control panel



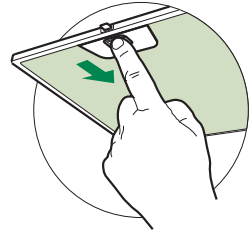
Button	Function	Display
	Turns the Motor On/Off.	-
	<b>Hood Closed:</b> <ul style="list-style-type: none"> <li>- Press the button briefly to start lowering the hood</li> <li>- It will stop when the button is pressed again. When the movement has been completed the motor will start at speed 2.</li> </ul>	-
	<b>Hood Open:</b> <ul style="list-style-type: none"> <li>- Press and hold for 2 seconds to activate raising of the hood, which stops when it reaches the stop.</li> <li>- Press (briefly) to stop the movement (before the stop is reached).</li> <li>- Press again briefly to turn the motor on/off.</li> <li>- Press and hold for 2 seconds to start raising of the hood.</li> <li>- If the motor is on, it will first stop the motor and then start the movement.</li> </ul>	-
	Decreases the speed of the Motor.	-
	Increases the speed of the Motor.	-
	<b>INTENSIVE</b> <ul style="list-style-type: none"> <li>- This can only be activated with the hood lowered and when the <b>delay</b> or <b>24h</b> functions are not active.</li> <li>- Activates Intensive speed from any other speed. To disable it, simply press the same button again or turn the motor off.</li> <li>- Intensive speed is timed to run for 10 minutes. At the end of the 10 minutes the system will automatically return to the speed that was set before.</li> </ul>	The led on the motor button (on the hood controls) will flash once every 0.5 seconds.
	<b>Press briefly for the Delay Function:</b> Can only be activated if the <b>Intensive</b> or <b>24h</b> function is not active. Activates and deactivates total shutdown of the hood (motor+lights) after 30 minutes: To disable the Delay, simply press the button again or turn the motor off.	The led on the motor button (on the hood controls) will flash once every 0.5 seconds.
	<b>Press and hold for 2 sec. for the 24H Function:</b> Can only be activated if the <b>Intensive</b> or <b>Delay</b> function is not active. Activates and deactivates the 24H function for 10 minutes every hour, for 24 hours. After this time it is deactivated.	The led on the motor button (on the hood controls) will flash once every 2 seconds.
	Turns the Hood lights On/Off.	

# MAINTENANCE

---

## Grease filter

The filter must be cleaned every 2 months of operation, or more frequently for particularly heavy usage, and can be washed in a dishwasher.



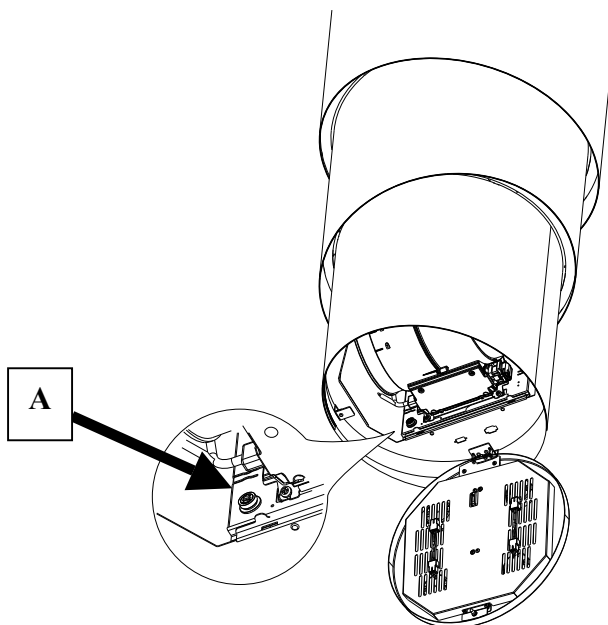
### CLEANING METAL SELF- SUPPORTING GREASE FILTER

- Open the lighting unit by pulling on the noth.
- Remove the filter one by one pushing it towards the back side of the hood unit and simultaneously pulling downwards.
- Any kind of bending of the filter has to be avoided when washing it. Before fitting it again into the hood make sure that it is completely dry.
- When fitting the filter into the hood pay attention that they are mounted in correct position the handle facing outwards.
- Replace the lighting unit.

## Lighting unit

**Warning:** This appliance is fitted with a white LED lamp classed as 1M according to EN 60825-1: 1994 + A1:2002 + A2:2001 standards; maximum optical power emitted @439nm: 7 $\mu$ W. Do not look directly at the light through optical devices (binoculars, magnifying glasses...).

- For replacement contact technical support. ("To purchase contact technical support")



### **Intervention procedure in the event of problems with the movement**

1. Check that the fuse is properly inserted and has not burnt out; to replace it if necessary open the lighting unit, remove the Grease filter and unscrew the fuse holder visible to the left of the motor unit, replacing the fuse with another of the same type (Ref. A).
2. Check that the hood canopy is fitted level (the use of a spirit level is recommended).
3. Check that the four cables are all at the same tension.

If the above operations do not solve the problem, contact the Technical Service Department.

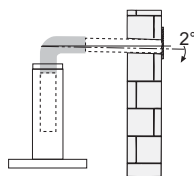
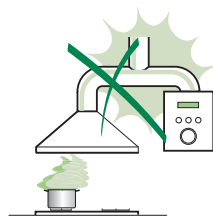
## CONSEILS ET SUGGESTIONS

---

- △ Les instructions pour l'utilisation se réfèrent aux différents modèles de cet appareil. Par conséquent, certaines descriptions de caractéristiques particulières pourraient ne pas appartenir spécifiquement à cet appareil.

### INSTALLATION

- En aucun cas le fabricant ne peut être tenu pour responsable d'éventuels dommages dus à une installation ou à une utilisation impropre.
- La distance de sécurité minimum entre le plan de cuisson et la hotte aspirante est de 650 mm (certains modèles peuvent être installés à une hauteur inférieure ; voir le paragraphe concernant les dimensions de travail et l'installation).
- Assurez-vous que la tension de votre secteur correspond à celle indiquée sur la plaque des données appliquée à l'intérieur de la hotte.
- Pour les appareils de Classe I, s'assurer que l'installation électrique de votre intérieur dispose d'une mise à la terre adéquate.  
Relier l'aspirateur au conduit de cheminée avec un tube d'un diamètre minimum de 120 mm. Le parcours des fumées doit être le plus court possible.
- Ne pas relier la hotte aspirante aux conduits de cheminée qui acheminent les fumées de combustion (par exemple de chaudières, de cheminées, etc.).
- Si vous utilisez l'aspirateur en combinaison avec des appareils non électriques (par ex. appareils à gaz), vous devez garantir un degré d'aération suffisant dans la pièce, afin d'empêcher le retour du flux des gaz de sortie. La cuisine doit présenter une ouverture communiquant directement vers l'extérieur pour garantir l'amenée d'air propre. Si vous utilisez la hotte de cuisine en combinaison avec des appareils non alimentés à l'électricité, la pression négative dans la pièce ne doit pas dépasser 0,04 mbar afin d'éviter que la hotte ne réaspire les fumées dans la pièce.
- Si le cordon d'alimentation est endommagé, veuillez le faire remplacer par le fabricant ou par un service après-vente agréé pour éviter tout risque d'accident.



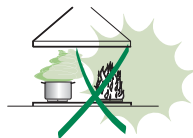
- Si les instructions d'installation du plan de cuisson à gaz spécifient une distance supérieure à celle indiquée ci-dessus, veuillez impérativement en tenir compte. Toutes les normes concernant l'évacuation de l'air doivent être respectées.
- Utiliser exclusivement des vis et des petites pièces du type adapté pour la hotte.

**Attention** : toute installation des vis et des dispositifs de fixation non conforme aux présentes instructions peut entraîner des risques de décharges électriques.

- Brancher la hotte à l'alimentation de secteur avec un interrupteur bipolaire ayant une ouverture des contacts d'au moins 3 mm.

## UTILISATION

- Cette hotte aspirante a été conçue exclusivement pour un usage domestique, dans le but d'éliminer les odeurs de cuisine.
- Ne jamais utiliser la hotte pour des objectifs différents de ceux pour lesquels elle a été conçue.
- Ne jamais laisser un feu vif allumé sous la hotte lorsque celle-ci est en fonction.
- Régler l'intensité du feu de manière à l'orienter exclusivement vers le fond de la casserole, en vous assurant qu'il ne déborde pas sur les côtés.
- Contrôler constamment les friteuses durant leur utilisation : l'huile surchauffée risque de s'incendier.
- Ne pas flamber des mets sous la hotte : sous risque de provoquer un incendie.
- Cet appareil n'est pas destiné à être utilisé par des enfants d'un âge inférieur à 8 ans, ni par des personnes dont les capacités physiques, sensorielles ou mentales sont diminuées ou qui ont une expérience et des connaissances insuffisantes, à moins que ces enfants ou ces personnes ne soient attentivement surveillés et instruits sur la manière d'utiliser cet appareil en sécurité et sur les dangers que cela comporte. Assurez-vous que les enfants ne jouent pas avec cet appareil. Le nettoyage et l'entretien de la part de l'utilisateur ne doivent pas être effectués par des enfants, à moins que ce ne soit sous la surveillance d'une personne responsable.






- **ATTENTION** : les parties accessibles peuvent devenir très chaudes durant l'utilisation des appareils de cuisson.

## ENTRETIEN

- Avant d'effectuer toute opération de nettoyage et d'entretien, éteindre ou débrancher l'appareil du secteur.
- Nettoyer et/ou remplacer les filtres après le délai indiqué (danger d'incendie).
- Nettoyer les filtres à graisse tous les 2 mois de fonctionnement ou plus souvent en cas d'utilisation particulièrement intense. Ces filtres peuvent être lavés au lave-vaisselle.
- Le filtre à charbon actif ne peut être ni lavé ni régénéré et il doit être remplacé environ tous les 4 mois de fonctionnement ou plus souvent en cas d'utilisation particulièrement intense.
- Effectuer le nettoyage selon les instructions, sous risque d'incendie.
- Nettoyer la hotte avec un chiffon humide et un détergent liquide neutre.



Le symbole  marqué sur le produit ou sur son emballage indique que ce produit ne peut pas être éliminé comme déchet ménager normal. Lorsque ce produit doit être éliminé, veuillez le remettre à un centre de collecte prévu pour le recyclage du matériel électrique et électronique. En vous assurant que cet appareil est éliminé correctement, vous participez à prévenir des conséquences potentiellement négatives pour l'environnement et pour la santé, qui risqueraient de se présenter en cas d'élimination inappropriée. Pour toute information supplémentaire sur le recyclage de ce produit, contactez votre municipalité, votre déchetterie locale ou le magasin où vous avez acheté ce produit.

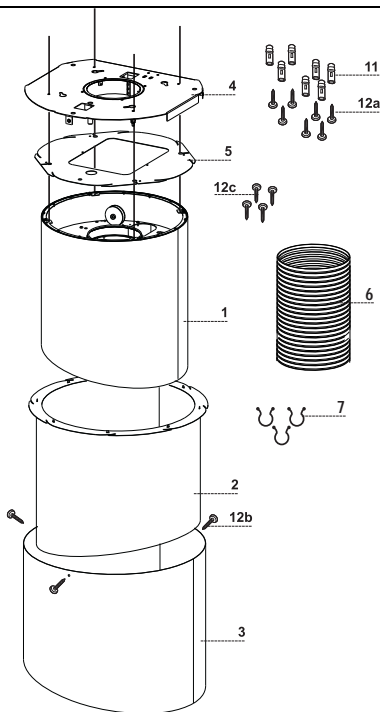
# CARACTERISTIQUES

## Composants

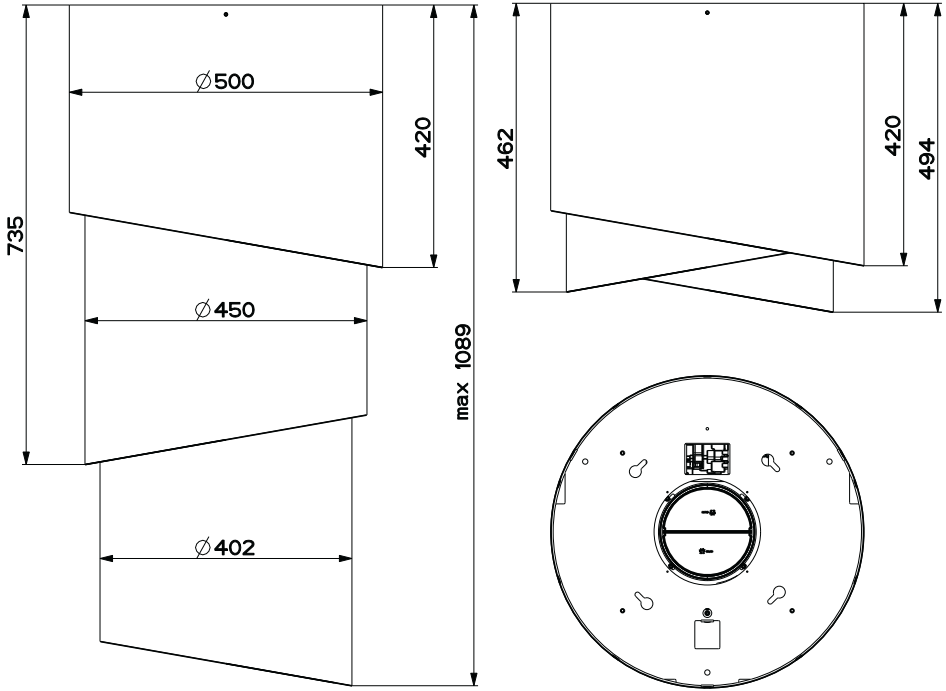
Réf.	Q.té	Composants du produit
1	1	Corps de hotte équipé de : commandes, lumière, filtres, moteur.
2	1	Corps de hotte intermédiaire.
3	1	Corps de hotte de plafond.
4	1	Plaque support hotte + bride.
5	1	Panneau supérieur corps de hotte
6	1	Tube
7	3	Clips de fixation câble d'alimentation

Réf.	Q.té	Composants de l'installation
11	7	Cheilles ø 10
12a	7	Vis 4,2 x 44,4
12b	3	Pommeaux de fixation
12c	4	Vis 3,5 x 9,5

Q.té	Documentation
1	Manuel d'instructions



# Encombrement



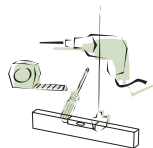
# INSTALLATION

Cette hotte est prévue pour être installée au plafond/étagère, au-dessus (650 mm min.) d'un plan de cuisson en îlot en :

- **Version aspirante** Évacuation à l'extérieur.

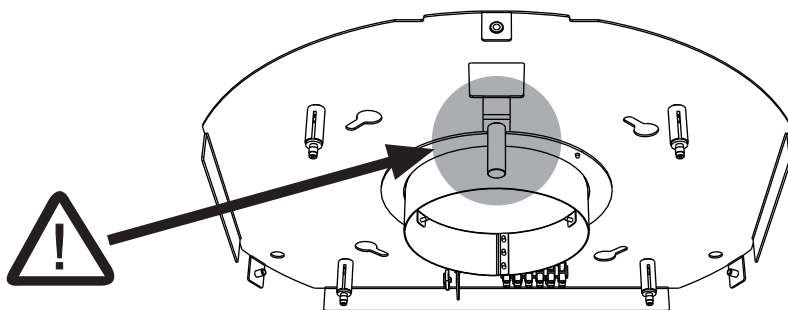
## Séquence opérations d'installation

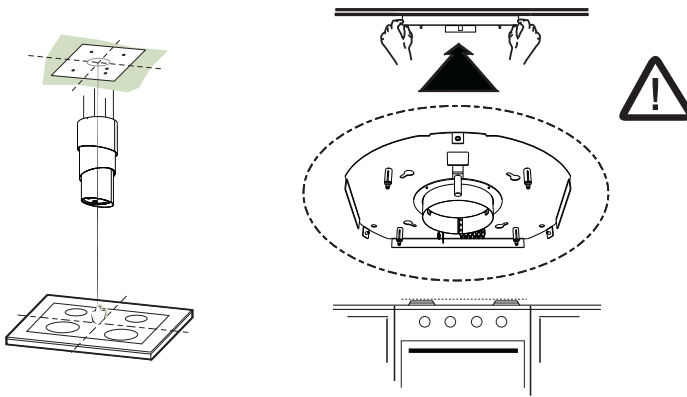
- Préparation à l'installation
- Perçage plafond/étagère et fixation plaque de support
- Connexions
- Montage du corps de hotte
- Contrôle fonctionnel
- Élimination des emballages



## Préparation pour le montage de la plaque

- Prendre la plaque et la placer dans le sens correct, comme indiqué dans la figure. Le cliquet doit se trouver en face de l'installateur.





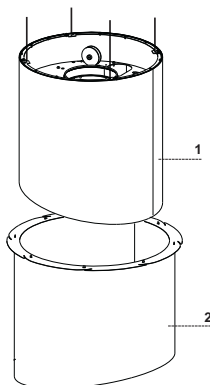
## Perçage plafond/étagère et fixation plaque

### PERÇAGE PLAFOND/ÉTAGERE

- À l'aide d'un fil à plomb, ramener sur le plafond/étagère de support le centre du plan de cuisson.
- Appuyer la plaque au plafond/étagère en veillant de la positionner dans le bon sens, comme indiqué dans la figure.
- Marquer les centres des trous de la plaque.
- Percer les points suivants :
  - Plafond en béton massif : selon les chevilles pour béton employées.
  - Plafond en béton et chambre à air, avec une épaisseur résistante de 20 mm : percer  $\varnothing$  10 mm (insérer tout de suite les chevilles **11** fournies).
  - Plafond en poutres de bois : selon les vis pour bois employées (non fournies).
  - Étagère en bois, avec une épaisseur résistante de 15 mm : percer  $\varnothing$  7 mm.
  - Passage du câble électrique d'alimentation : percer  $\varnothing$  10 mm.
- Serrer en diagonale et en laissant 4-5 mm du plafond les deux vis :
  - pour béton massif, les chevilles pour béton, non fournies.
  - pour béton avec chambre à air, avec une épaisseur résistante d'environ 20 mm, vis **12h** fournies.
  - pour poutres de bois, vis pour bois, non fournies.
  - pour étagère de bois, vis avec rondelles et écrous non fournies.

## FIXATION (CORPS DE HOTTE + CORPS DE HOTTE INTERMEDIAIRE)

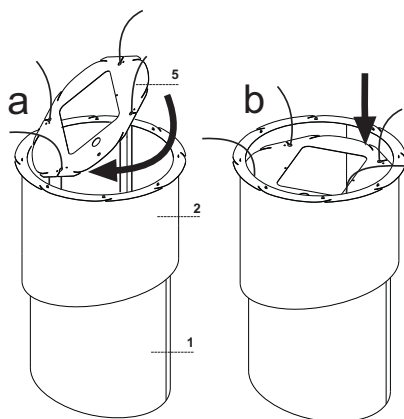
- Insérer le corps de hotte **1** dans le corps de hotte intermédiaire **2**.



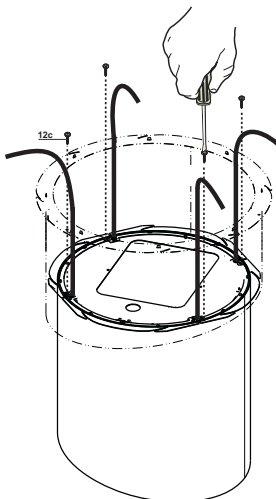
- Prendre le panneau supérieur du corps de hotte **5** et l'insérer de la manière indiquée dans la figure.

### Attention

pour introduire le panneau supérieur du corps de hotte **5**, insérer d'abord un côté puis l'autre en exploitant les bords biseautés et en faisant attention de ne pas endommager les câbles qui doivent passer dans les trous prévus à cet effet.



- Baisser le panneau jusqu'à ce qu'il s'appuie sur le corps de hotte **1** et le visser ensuite avec les 4 vis **12c** fournies.



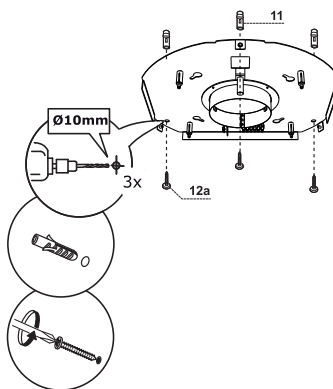
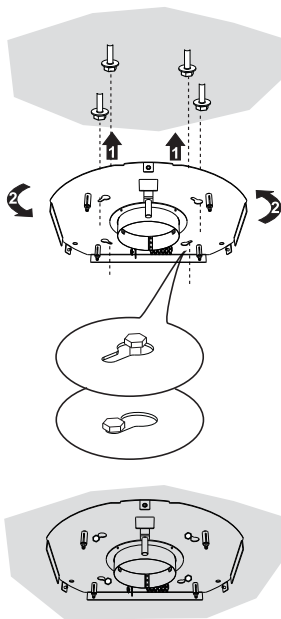
## FIXATION PLAQUE

- Soulever la plaque de fixation, emboîter les trous sur les deux vis précédemment prévues au plafond et tourner jusqu'au centre du trou de réglage.

**Attention :** Le sens de la plaque doit être celui indiqué dans la figure.

- Serrer les deux vis et visser les deux autres fournies ; avant de serrer définitivement les vis vous pouvez effectuer des réglages en tournant la pièce, en faisant attention à ce que les vis ne sortent pas du siège du trou de réglage.
- La fixation doit être sûre, aussi bien par rapport au poids de la hotte qu'aux contraintes provoquées par des poussées latérales occasionnelles à l'appareil monté. À la fin de la fixation, vérifier que la plaque est stable.
- Au cas où le plafond ne serait pas suffisamment robuste dans le point de suspension, l'installateur devra le renforcer à l'aide de plaques et de contre-plaques opportunes ancrées sur des parties structurellement résistantes.
- Vérifier le nivellement de la plaque au plafond.

- Si vous l'estimez opportun, vous pouvez assurer la hotte au mur avec les 3 autres vis tamponnées.



## CONNEXION CÂBLES HOTTE-PLAQUE

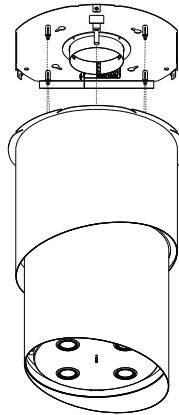
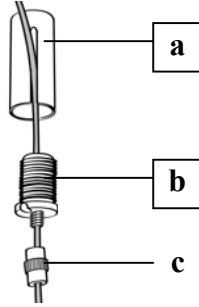
**N.B.** Avant de commencer l'installation, il est nécessaire d'amener la hotte à une hauteur d'au moins 650 mm du plan de cuisson, avec un support ou en se faisant aider par une autre personne.

⚠ Cette mesure est fondamentale, puisque les câbles de la hotte devant être branchés à la plaque montée au plafond, **il est impératif** d'éviter que le poids de la hotte puisse peser sur la structure.

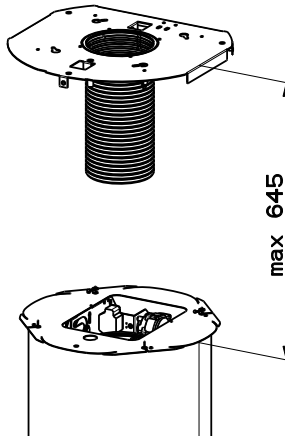
Le système de fixation des 4 câbles est formé de 3 parties :

- Cliquet fileté (a) déjà monté sur la plaque de plafond.
- Vis serre-câble (b) fournie.
- Pommeau de sécurité (c) fourni.

- Enfiler les pommeaux de sécurité (c) dans leurs câbles correspondants, en veillant à ce que le filetage soit orienté vers le haut.
- Enfiler les vis serre-câble (b) dans leurs câbles correspondants.
- Faire attention au sens d'orientation de la plaque fixée au plafond (le cliquet de fin de course de la plaque a son trou correspondant sur le corps hotte).



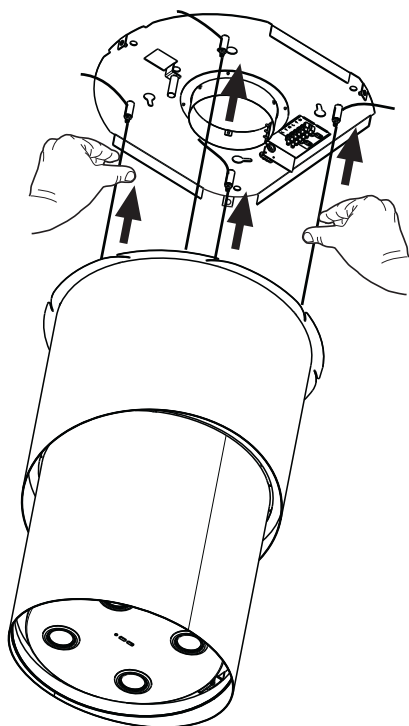
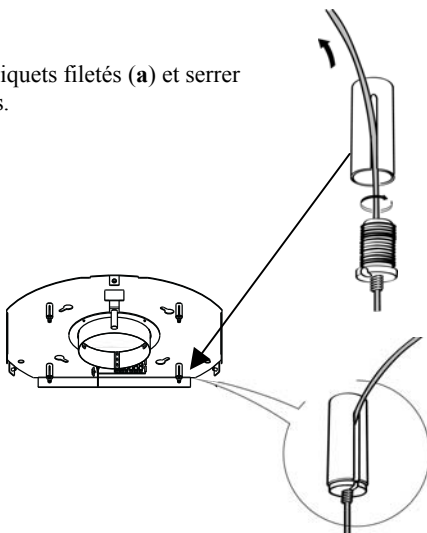
⚠ **Attention :**  
L'extension maximale du mouvement de la hotte ne peut pas dépasser 645mm.





- Faire passer les câbles dans les trous des cliquets filetés (a) et serrer les vis serre-câble (b) à ces mêmes cliquets.

- À la fin de l'opération, le résultat doit être celui représenté dans la figure pour tous les 4 câbles.



- Maintenant, les 4 câbles sont reliés à la plaque.

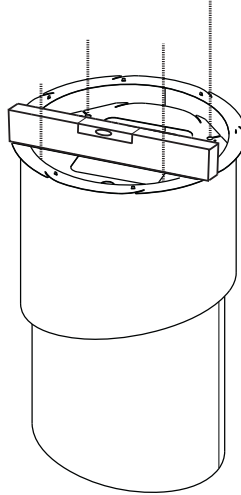
**Tendre les câbles en les poussant vers le haut de manière à ce qu'ils coulissent dans la vis serre-câble et hors du trou du cliquet fileté.**

**Cela est possible, car le système présent dans la vis serre-câble permet au câble de coulisser dans un seul sens à son intérieur, en bloquant le coulisser dans l'autre sens.**

**Veiller à ce que les câbles aient tous la même longueur pour faciliter l'opération de nivellement final. Faire attention à ce que le câble avant gauche ne soit pas plus lâche que les autres.**

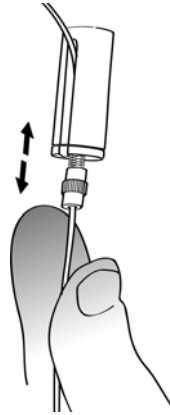
## NIVELLEMENT DE LA HOTTE

- Il est nécessaire d'effectuer le nivellement du corps de hotte.
- Le nivellement de la hotte s'effectue en intervenant sur les cliquets de sécurité C.



- Appuyer un niveau sur la hotte.

- Pour débloquer le mouvement du câble, pousser vers le haut les pommeaux de sécurité. Insérer ou extraire le câble de la vis serre-câble pour effectuer les réglages qui permettent le nivellement du corps mobile de la hotte.
- Après avoir nivelé la hotte à la mesure nécessaire, serrer les pommeaux de sécurité.

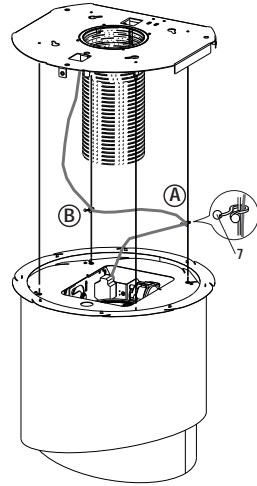


### Attention :

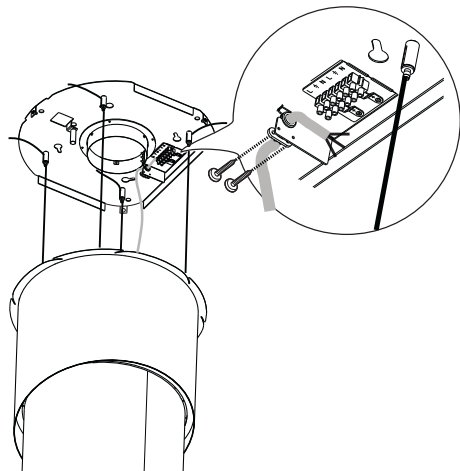
- **S'assurer que les 4 câbles de soutien sont en tension.**
- **S'assurer que les 4 câbles de soutien n'ont pas été endommagés durant l'installation.**
- **N'oubliez pas que la distance minimum entre la hotte et le plan de cuisson de la cuisine doit être de 650 mm et que l'extension maximum du mouvement ne peut pas dépasser 645 mm.**

## FIXATION DU CÂBLE D'ALIMENTATION

- Prendre le câble d'alimentation venant du boîtier de connexion électrique et le pincer à l'aide des clips pince-câble 7 d'abord au câble arrière droit (A), ensuite à celui de gauche (B) comme indiqué dans la figure.



- Amener le câble d'alimentation sur la plaque de plafond.
- Emboîter le passe-câble en caoutchouc déjà enfilé sur le câble d'alimentation dans le trou pour éviter tout endommagement futur.
- Le fixer au support sur la plaque de plafond à l'aide de la languette déjà montée.
- Brancher la hotte à l'alimentation de secteur en intercalant un interrupteur bipolaire avec une ouverture des contacts d'au moins 3 mm.



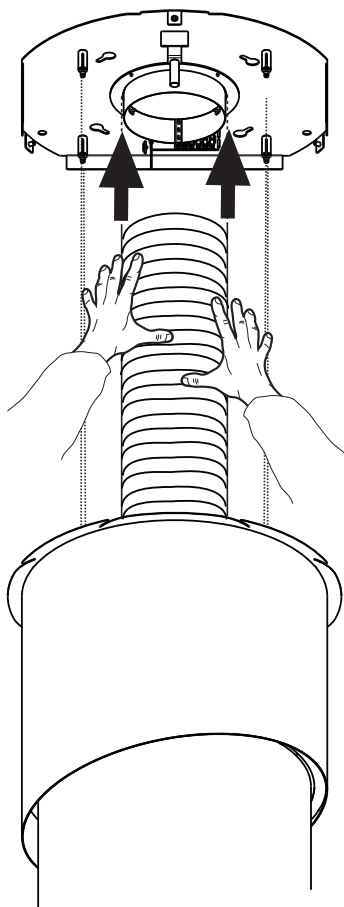
Vérifier enfin que le câble d'alimentation est correctement bloqué, en contrôlant que lorsque le corps mobile se soulève vers le plafond, celui-ci se positionne au-dessus du corps mobile et qu'il ne sort pas du pourtour de la hotte.

## Connexions

### SORTIE AIR VERSION ASPIRANTE

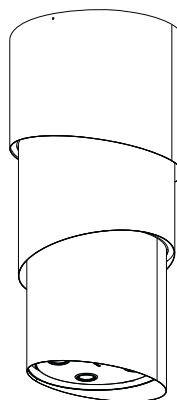
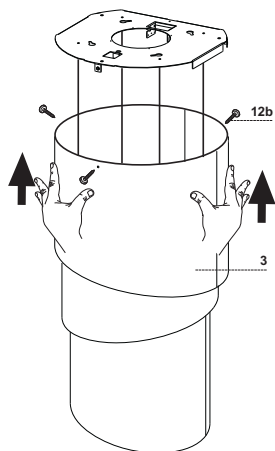
Pour l'installation en version aspirante, relier la hotte au tube de sortie au moyen d'un tube  $\varnothing$  150 extensible.

- Fixer le tube à l'aide de colliers serre-tube adaptés aussi bien au corps de hotte qu'à la bride sur la plaque de plafond. Le matériel nécessaire est fourni.



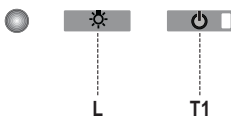
## FIXATION (corps de hotte intermédiaire + corps de hotte de plafond)

- Faire des tests pour vérifier que la hotte fonctionne. (Voir paragraphe Utilisation).
- En passant sous le corps de hotte de plafond **3**, enfiler dans le corps de hotte suspendu au plafond en faisant attention au sens, qui doit être celui indiqué dans la figure.
- Avec 3 vis **12b** fournies, fixer le corps de hotte de plafond **3** à la plaque au plafond.



# UTILISATION

## Tableau des commandes



Touche	Fonction	Affichage
<b>L</b>	Allume/Éteint les lumières	-
<b>T1</b>	<b>Hotte basse</b> Appuyer pendant 2 secondes pour remonter la hotte. Appui bref On/Off moteur	Branché/Débranché
	<b>Hotte haute</b> Premier appui : La hotte descend. Deuxième appui : Stop hotte. À la fin du mouvement, le moteur se branche à la deuxième vitesse.	Débranché/Débranché

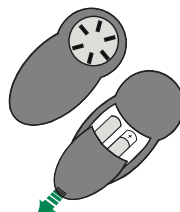
### L'électronique reconnaît deux types d'anomalies et donne le signal correspondant

Led T1	
<b>Clignotement lent</b>	<p><b>Dépassement du seuil d'absorption de courant:</b> En présence d'une condition de surcharge, l'anomalie est signalée par le clignotement, toutes les 2 secondes, de la led <b>T1</b> située sur le clavier. Vérifier l'absence de tout empêchement durant le mouvement de la hotte. Ce signalement demeure actif jusqu'à ce qu'une nouvelle commande d'ouverture/fermeture de la hotte soit donnée.</p>
<b>Clignotement rapide</b>	<p><b>Intervention du microswitch de sécurité en ouverture:</b> En cas d'intervention du microswitch de sécurité, l'anomalie est signalée par le clignotement rapide de la led <b>T1</b> (toutes les 250ms), indiquant que la hotte a dépassé le fin de course..... <b>Contactez le service après vente!</b></p> <p>En présence de cette anomalie, l'accès aux fonctions de la hotte (lumières et moteur) est toujours possible. Si le moteur est branché, la led <b>T1</b> continuera à clignoter, signalant que l'anomalie est toujours présente.</p>

## TELECOMMANDE

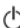

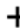



Il est possible de commander cet appareil au moyen d'une télécommande, alimentée avec des piles alcalines zinc-charbon 1,5 V du type standard LR03-AAA25 (ne fournis pas).

- Ne pas ranger la télécommande à proximité de sources de chaleur.
- Ne pas jeter les piles; il faut les déposer dans les récipients de récolte spécialement prévus à cet effet.



### Tableau des commandes



Touche	Fonction	Affichage
	Branche/Débranche le moteur.	-
	<b>Hotte fermée :</b> <ul style="list-style-type: none"> <li>- En appuyant brièvement sur la touche la hotte commence à descendre</li> <li>- À la pression suivante, elle s'arrête.</li> </ul> Lorsque le mouvement est terminé, le moteur se branche à la 2 <sup>ème</sup> vitesse.	-
	<b>Hotte ouverte :</b> <ul style="list-style-type: none"> <li>- Appuyer pendant 2 secondes pour activer le mouvement de remontée qui s'arrête avec le fin de course.</li> <li>- Appuyer (brièvement) pour arrêter le mouvement (avant le fin de course).</li> <li>- Appuyer encore brièvement, on/off moteur.</li> <li>- Garder appuyé pendant 2 secondes pour activer le mouvement de remontée.</li> <li>- Si le moteur est branché, d'abord le moteur s'arrête, puis le moteur démarre.</li> </ul>	-
	Diminue la vitesse du moteur.	-
	Augmente la vitesse du moteur.	-
	<b>INTENSIVE</b> <ul style="list-style-type: none"> <li>- Activable seulement lorsque la hotte est descendue et lorsque le <b>delay</b> ou le <b>24h</b> ne sont pas actifs.</li> <li>- Active la vitesse intensive à partir de n'importe quelle vitesse.</li> </ul> Pour la débrancher, appuyer de nouveau sur cette même touche ou éteindre le moteur. <ul style="list-style-type: none"> <li>- La vitesse intensive est temporisée à 10 minutes. À la fin des 10 minutes le système retourne automatiquement à la vitesse précédemment programmée.</li> </ul>	La led présente sur la touche moteur (des commandes hotte) clignote 1 fois par seconde).
	<b>Appuyer brièvement sur la fonction Delay :</b> Activable seulement lorsque l' <b>Intensive</b> ou le <b>24h</b> ne sont pas actifs. Branche et débranche le mode d'arrêt total de la hotte (moteur+ lumières) après 30 minutes : Pour invalider le Delay, appuyer de nouveau sur la même touche ou éteindre le moteur.	La led présente sur la touche moteur (des commandes hotte) clignote toutes les 0,5 seconde).
	<b>Appuyer pendant 2 sec sur la fonction 24h :</b> Activable seulement lorsque l' <b>Intensive</b> ou le <b>Delay</b> ne sont pas actifs. Branche et débranche la fonction 24 pendant 10 minutes par heure, pendant 24 heures. À l'expiration, la fonction se désactive.	La led présente sur la touche moteur (des commandes hotte) clignote toutes les 2 secondes).
	Branche/Débranche les lumières de la hotte.	-

# ENTRETIEN

---

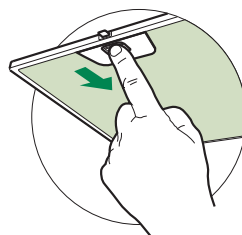
## Filtre à graisse métallique

---

Il est lavable même au lave-vaisselle. Il doit être lavé environ tous les 2 mois d'utilisation ou plus fréquemment en cas d'utilisation particulièrement intensive.

### NETTOYAGE FILTRE À GRAISSE MÉTALLIQUE

- Ouvrir le groupe d'éclairage en le tirant sur l'encoche prévue à cet effet.
- Retirer le filtre, en le poussant vers l'arrière du groupe, tout en tirant en même temps vers le bas.
- Laver le filtre en évitant de les plier et les laisser sécher avant de les remonter.
- Le remonter en veillant à ce que la poignée soit toujours vers la partie visible externe.
- Refermer le groupe d'éclairage.



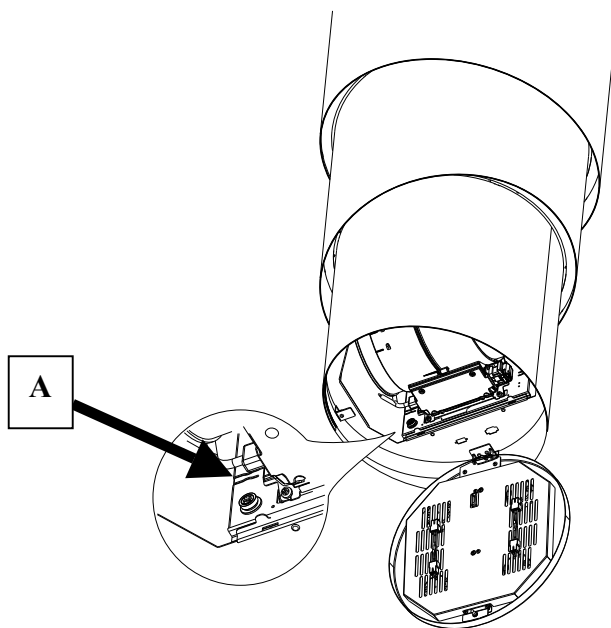
## Éclairage

---

**Attention :** Cet appareil est doté d'une lumière LED blanche de classe 1M conformément à la norme EN 60825-1: 1994 + A1:2002 + A2:2001 : puissance optique maximum émise à 439nm : 7μW. Ne pas observer directement avec des instruments optiques (jumelles, lentilles grossissantes...)

- Pour le remplacement, contacter le Service après-vente.  
(« Pour l'achat, s'adresser au service après-vente »).





### **Procédure d'intervention en cas d'anomalies sur le mouvement**

- Vérifier que le fusible est correctement inséré et qu'il n'est pas brûlé. En cas de nécessité de remplacement, ouvrir le groupe d'éclairage, retirer le filtre à graisse et desserrer le porte-fusible visible sur la gauche du groupe moteur, en le remplaçant par un autre fusible ayant les mêmes caractéristiques (Réf. A).
- Vérifier que le corps de hotte est installé à niveau (l'utilisation d'un niveau est conseillée).
- Vérifier que les quatre câbles sont tendus tous les quatre de la même manière.

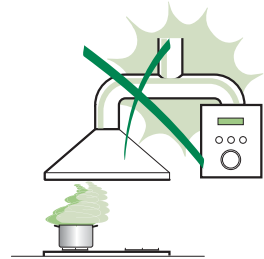
Si les actions précédentes n'ont pas résolu le problème, contacter le service après-vente.

# EMPFEHLUNGEN UND HINWEISE

- △ Diese Gebrauchsanleitungen beziehen sich auf die verschiedenen Modelle der Abzugshaube. Darum kann es möglich sein, dass die Beschreibung bestimmter Merkmale für das vorliegende Gerät nicht zutrifft.

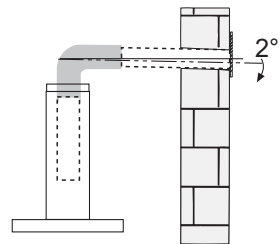
## INSTALLATION

- Der Hersteller haftet nicht für etwaige Schäden, die durch die fehlerhafte Installation oder falschen Gebrauch entstehen könnten.
- Der min. Sicherheitsabstand zwischen Kochfeld und Abzugshaube beträgt 650 mm (einige Modelle können auch niedriger installiert werden; siehe Absatz Installation).
- Kontrollieren Sie, ob die Netzspannung den Daten des Typenschilds im Innern der Haube entspricht.
- Für Geräte der Klasse I muss kontrolliert werden, ob das häusliche Versorgungsnetz korrekt geerdet ist.



Die Absaughaube mit Hilfe eines Rohrs mit einem Mindestdurchmesser von 120 mm mit dem Rauchabzug verbinden. Der Verlauf des Rauchabzugs soll so kurz wie möglich sein.

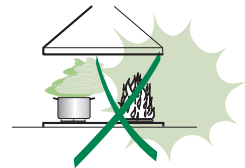
- Die Abzugshaube darf nicht an einen Schacht angeschlossen werden, in den Rauchgase geleitet werden (z. B. von Heizkessel, Kaminen, usw.).
- Falls in dem Raum neben dem Abzug auch nicht mit Strom betriebene Geräte (zum Beispiel Gasgeräte) eingesetzt werden, muss für eine ausreichende Belüftung gesorgt werden, damit der Rückfluss der Abgase verhindert wird. Die Küche muss eine direkte Öffnung nach Außen aufweisen, damit ein ausreichender Luftaustausch gewährleistet wird. Wird die Abzugshaube zusammen mit nicht mit Strom betriebenen Geräte eingesetzt, darf der Unterdruck im Raum 0,04 mbar nicht überschreiten, damit die Abgase nicht wieder angesaugt werden.
- Schadhafte Kabel müssen durch den Hersteller oder vom Kundendienst ausgewechselt werden, damit jedes Risiko ausgeschlossen wird.



- Falls die Montageanweisungen für die gasbetriebene Kochmulde einen größeren Abstand vorschreiben, als der oben angegebene, muss diese Vorgabe befolgt werden. Es sind sämtliche Abluftvorschriften zu beachten.
- Nur für die Abzugshaube geeignete Schrauben und Kleinteile verwenden.  
**Achtung:** Werden die Schrauben und Befestigungselemente nicht entsprechend der vorliegenden Anleitungen verwendet, besteht Stromschlaggefahr.
- Die Abzugshaube mittels zweipoligem Schalter mit einer Öffnung der Kontakte von mindestens 3 mm an das Netz anschließen.

## GEBRAUCH

- Die Abzugshaube wurde ausschließlich für den häuslichen Gebrauch entwickelt, um Kochdünste zu beseitigen.
- Die Haube darf nur für die ihr zugedachten Zwecke benutzt werden.
- Unter der eingeschalteten Haube keine offenen Flammen benutzen.
- Die Flamme so regulieren, dass sie nicht über den Boden des Kochgeschirrs hinausreicht.
- Fritteusen müssen während des Gebrauchs ständig überwacht werden: überhitztes Öl könnte sich entzünden.
- Auf keinen Fall unter der Haube flambieren: Brandgefahr.
- Kinder ab 8 Jahren und Personen mit eingeschränkten physischen, sensorischen oder psychischen Fähigkeiten, oder mit mangelnden Erfahrungen oder Kenntnissen dürfen nicht mit dem Gerät umgehen, es sei denn, sie werden von einer für ihre Sicherheit verantwortlichen Person beaufsichtigt oder angeleitet. Sicherstellen, dass Kinder nicht mit dem Gerät herumspielen können. Reinigungs- und Wartungsarbeiten dürfen nicht von unbeaufsichtigten Kindern durchgeführt werden.




- **ACHTUNG:** Die zugänglichen Teile können während des Gebrauchs der Kochgeräte sehr heiß werden.

## WARTUNG

- Vor Reinigungs- oder Wartungsarbeiten am Gerät, muss dieses ausgeschaltet und spannungslos gemacht werden.
- Die Filter stets nach den angegebenen Intervallen reinigen oder auswechseln (Brandgefahr).
- Die Fettfilter sind alle 2 Monate oder bei intensiver Nutzung öfter zu reinigen und können in der Spülmaschine gespült werden.
- Der Aktivkohlefilter ist weder waschbar, noch regenerierbar und muss bei normalem Betrieb zirka alle 4 Monate oder auch öfter ausgewechselt werden, je nach Intensität des Gebrauchs.
- „Wenn die Reinigung nicht nach den Anweisungen durchgeführt wird, besteht Brandgefahr“.
- Die Haube mit einem feuchten Lappen und einem neutralen Reinigungsmittel abwischen.

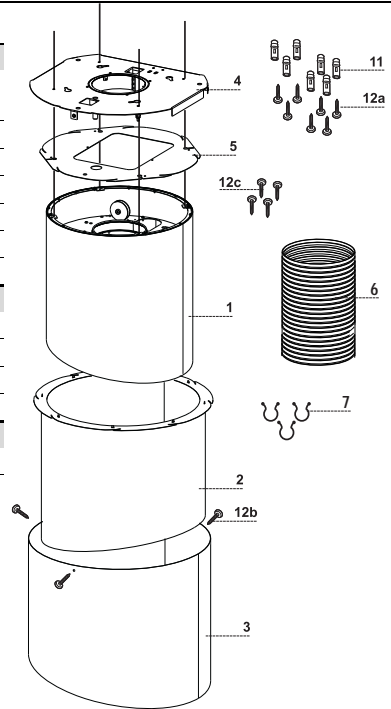


Das Symbol  am Produkt oder auf der Verpackung weist darauf hin, dass das Gerät nicht als normaler Hausmüll entsorgt werden darf. Das ausrangierte Gerät muss vielmehr bei einer speziellen Sammelstelle für elektrische und elektronische Geräte abgegeben werden. Mit der vorschriftsmäßigen Entsorgung des Gerätes trägt der Benutzer dazu bei, schädliche Auswirkungen auf Umwelt und Gesundheit zu vermeiden. Weitere Informationen zum Recycling dieses Produktes können bei der zuständigen Behörde, der örtlichen Abfallbeseitigung oder bei dem Händler, der das Gerät verkauft hat, eingeholt werden.

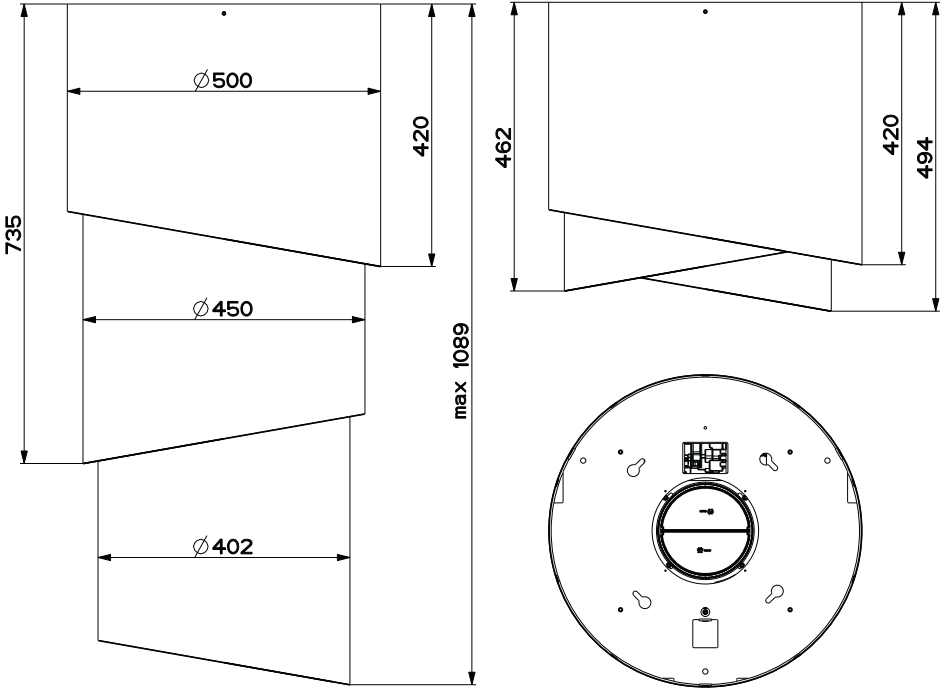
# CHARAKTERISTIKEN

## Komponenten

Bez. Menge Produktkomponenten		
1	1	Haubenkörper, komplett mit: Bedienelementen, Beleuchtung, Filter, Motor
2	1	Zwischenteil Haubenkörper.
3	1	Haubenkörper für Deckenmontage
4	1	Platte der Haubenhalterung + Flansch
5	1	Oberes Paneel Haubenkörper
6	1	Rohr
7	3	Kabelklemmen zur Befestigung des Stromkabels
Bez. Menge Installationskomponenten		
11	7	Dübel $\varnothing$ 10 mm
12a	7	Schrauben 4,2 x 44,4
12b	3	Halteknäufe
12c	4	Schrauben 3,5 x 9,5
Menge Dokumentation		
	1	Betriebsanleitung



# Platzbedarf



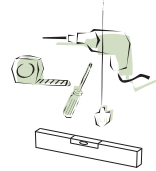
# MONTAGE

Diese Haube ist für die Installation an einer Decke/Konsole über (Mindestabstand 650 mm) einer Kochinsel vorbereitet:

- **Abluftversion:** Abluftleitung nach Außen.

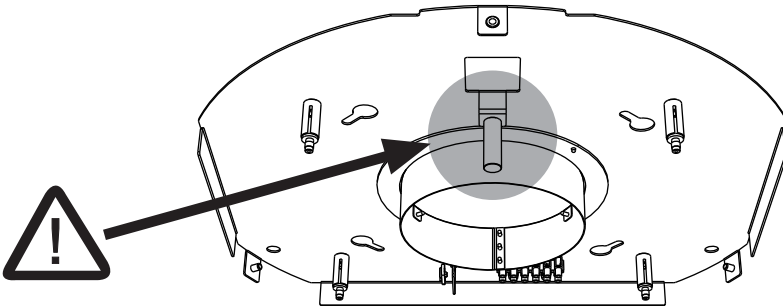
## Sequenz der Installationsarbeiten

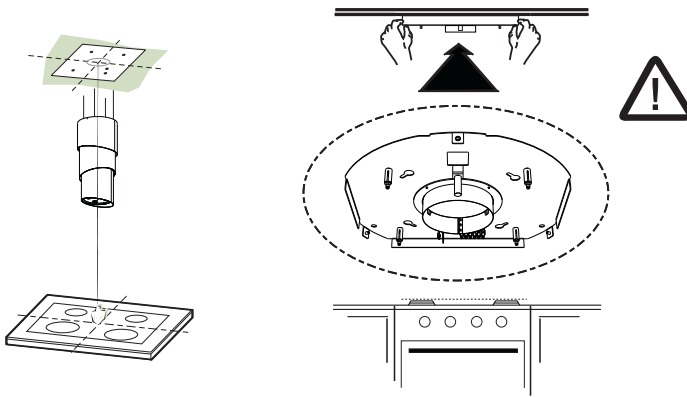
- Vorbereitung zur Installation
- Bohren von Decke/Konsole und Befestigung der Halteplatte
- Anschlüsse
- Montage des Haubenkörpers
- Funktionskontrolle
- Entsorgung des Verpackungsmaterials



## Vorbereitung der Plattenmontage

- Die Platte zur Hand nehmen und in der in der Abbildung gezeigten Richtung positionieren. Die Sperrklinke muss frontal zum Installateur verbleiben.





## Bohren von Decke/Konsole und Befestigung der Platte

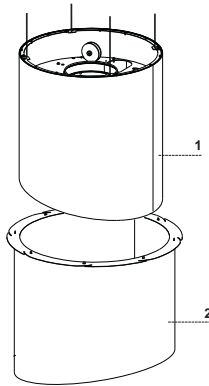
### BOHREN VON DECKE/KONSOLE

- Mit Hilfe eines Lotfadens an Decke/Haltekonsole die Mitte des Kochfelds anzeichnen.
- Die Platte in der korrekten Einbaurichtung an der Decke/Konsole anlegen.
- Die Mitte der Löcher der Platte markieren.
- Die folgenden Punkte bohren:
  - Decke aus Massivbeton: je nach den verwendeten Betondübeln.
  - Decke aus Hohlziegeln mit 20 mm fester Stärke: Mit  $\varnothing$  10 mm bohren (sofort die mitgelieferten Dübel **11** einsetzen).
  - Decke aus Holzträgern: je nach den verwendeten Holzschrauben (nicht mitgeliefert).
  - Holzkonsole mit 15 mm fester Stärke:  $\varnothing$  7 mm bohren.
  - Stromkabeldurchgang:  $\varnothing$  10 mm bohren.
- Zwei Schrauben über Kreuz einschrauben und 4-5 mm Abstand von der Decke belassen:
  - für Massivbeton, Betondübel, nicht mitgeliefert.
  - für Hohlziegel mit circa 20 mm fester Stärke, Schrauben **12h**, mitgeliefert.
  - für Holzträger, Holzschrauben, nicht mitgeliefert.
  - für Holzkonsole, Schrauben mit Unterlegscheiben und Muttern, nicht mitgeliefert.



## MONTAGE (HAUBENKÖRPER + ZWISCHENTEIL DES HAUBENKÖRPERS)

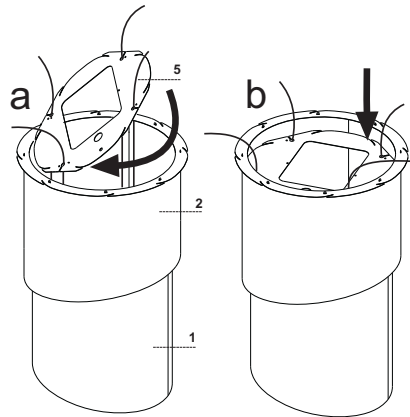
- Den Haubenkörper 1 in den Zwischenteil des Haubenkörpers 2 stecken.



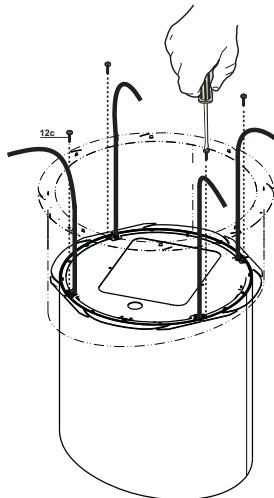
- Das obere Paneel des Haubenkörpers 5 nehmen und einsetzen, wie in der Abbildung gezeigt.

### Achtung

Bei der Montage des oberen Paneels des Haubenkörpers 5 zuerst die eine und dann die andere Seite einsetzen, wobei die abgerundeten Ecken genutzt werden. Darauf achten, dass die Seile nicht beschädigt werden, die durch die speziellen Ösen geführt werden müssen.



- Das Paneel nach unten schieben, bis es am Haubenkörper 1 aufliegt, dann mit den 4 mitgelieferten Schrauben 12c festschrauben.



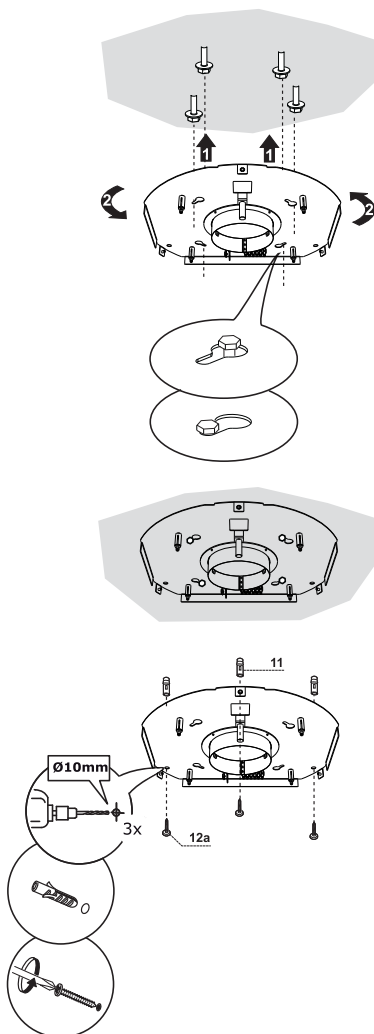
## BEFESTIGUNG DER PLATTE

- Die Platte anheben, die Langlöcher an den zwei zuvor an der Decke angebrachten Schrauben einhängen und bis zur Mitte der Einstellöse drehen.

**Achtung:** Die Einbaurichtung der Platte muss wie in der Abbildung gezeigt sein.

- Die beiden Schrauben festziehen und die beiden anderen mitgelieferten Schrauben einschrauben. Bevor die Schrauben endgültig festgezogen werden, kann durch Drehen des Teils reguliert werden, wobei darauf zu achten ist, dass die Schrauben nicht aus den Einstellösen fallen.
- Die Befestigung muss entsprechend des Gewichts der Haube und den Belastungen durch seitliche Stoßeinwirkungen auf das installierte Gerät sicher befestigt werden. Nach erfolgter Befestigung sicherstellen, dass die Platte stabil ist.
- In allen Fällen, in denen die Decke am Aufhängepunkt nicht robust genug sein sollte, muss der Installateur sie durch Platten und Konterplatten verstärken, die an stabilen Strukturteilen verankert werden.
- Die Nivellierung der Platte an der Decke kontrollieren.

- Falls erforderlich, kann die Haube zusätzlich mit weiteren 3 Schrauben mit Dübel an der Wand gesichert werden.



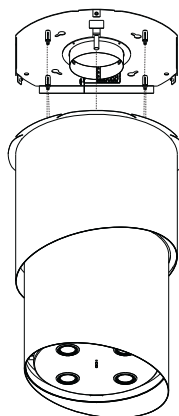
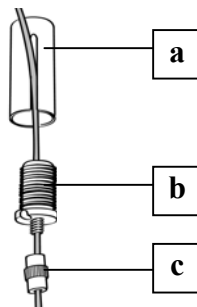
## VERBINDUNG DER SEILE ZWISCHEN HAUBE UND PLATTE

**NB:** Vor der Installation muss die Haube mit Hilfe einer Stütze oder einer zweiten Person auf eine Höhe von mindestens 650 mm vom Kochfeld gebracht werden.

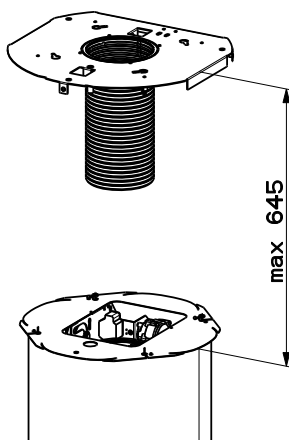
⚠ Diese Maßnahme ist sehr wichtig, weil das Gewicht der Haube beim Verbinden der Seile mit der an der Decke montierten Platte keinesfalls auf der Struktur lasten darf.

Das System zur Befestigung der 4 Kabel besteht aus 3 Teilen:

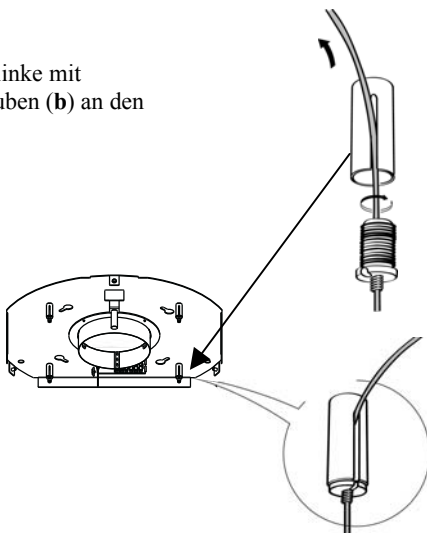
- Sperrklinke mit Gewinde (**a**), die bereits an der Deckenplatte montiert ist.
- Kabelklemmschraube (**b**), im Lieferumfang enthalten
- Sicherheitsknäuf (**c**), im Lieferumfang enthalten.
- Die Sicherheitsknäufe (**c**) mit nach oben zeigendem Gewinde auf die entsprechenden Seile stecken.
- Die Klemmschrauben (**b**) auf die entsprechenden Seile aufstecken.
- Auf die Richtung der an der Decke befestigten Platte achten (das entsprechende Loch der Sperrklinke des Endanschlags der Platte findet sich am Haubenkörper).



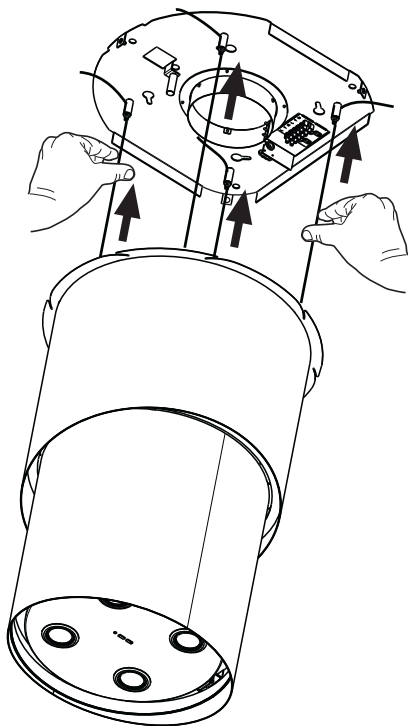
⚠ Achtung: Die maximale Extension der Haubenbewegung darf 645 mm nicht überschreiten.



- Die Seile durch die Langlöcher der Sperrklinke mit Gewinde (a) stecken und die Klemmschrauben (b) an den Sperrklinken selbst festschrauben.
- Das Ergebnis dieser Operation muss an allen 4 Seilen wie abgebildet aussehen.



- Damit sind alle 4 Seile mit der Platte verbunden.



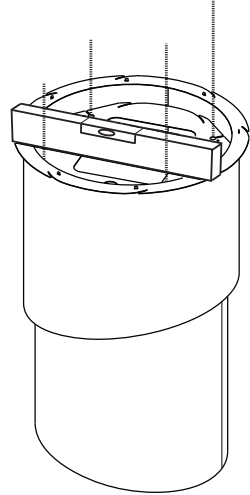
**Die Seile spannen, in dem sie nach oben geschoben werden, so dass sie in der Klemmschraube und aus dem Langloch der Sperrklinke mit Gewinde gleiten.**

**Dies ist möglich, weil die Klemmschraube über ein System verfügt, welches das Gleiten des Seils in ihrem Innern in nur eine Richtung erlaubt, während das Gleiten in die andere Richtung unterbunden wird.**

**Sicherstellen, dass alle Seile gleich lang sind, damit die abschließende Nivellierung erleichtert wird, und das Seil vorne links nicht weniger gespannt ist als die anderen.**

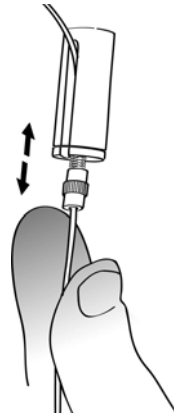
## NIVELLIEREN DER ABZUGSHAUBE

- Der Haubenkörper muss nivelliert werden.
- Die Nivellierung der Haube erfolgt durch Einwirken auf die Sicherheits-Sperrklinke C.



- Eine Wasserwaage auf die Haube legen.

- Die Sicherheitsknäufe nach oben drücken, so dass das Kabel beweglich wird. Durch Hin- und Herschieben des Kabels in der Kabelklemmschraube kann der bewegliche Körper der Haube nivelliert werden.
- Nachdem die Haube nivelliert wurde, die Sicherheitsknäufe wieder festschrauben.

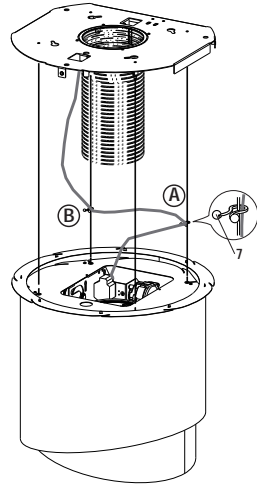


### Achtung:

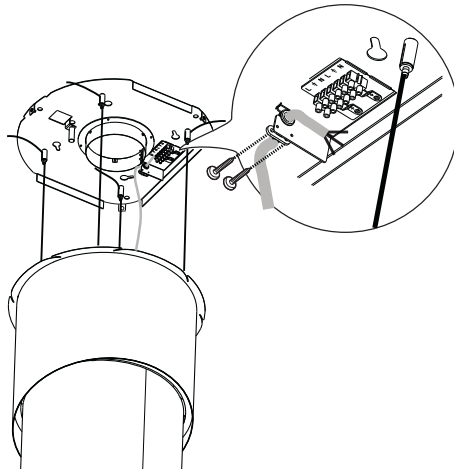
- Sicherstellen, dass alle 4 Haltekabel gespannt sind.
- Kontrollieren, ob die 4 Haltekabel während der Installation beschädigt wurden.
- Der Abstand der Haube vom Kochfeld muss mindestens 650mm betragen und die maximale Extension der Haubenbewegung darf 645 mm nicht überschreiten.

## BEFESTIGUNG DES STROMKABELS

- Das aus dem Anschlusskasten ragende Stromkabel nehmen und mit den Kabelklemmen 7 zuerst am hinteren rechten Seil (A) und dann am linken Seil (B) festklemmen, wie in der Abbildung gezeigt.



- Das Stromkabel zur Deckenplatte führen.
- Die bereits am Stromkabel aufgesteckte Lippsklammer aus Gummi an der Öse fixieren, damit zukünftige Beschädigungen vermieden werden.
- Mit Hilfe der bereits montierten Lasche am Bügel an der Deckenplatte befestigen.
- Beim Anschließen der Haube einen zweipoligen Schalter mit einer Öffnung der Kontakte von mindestens 3 mm zwischenschalten.



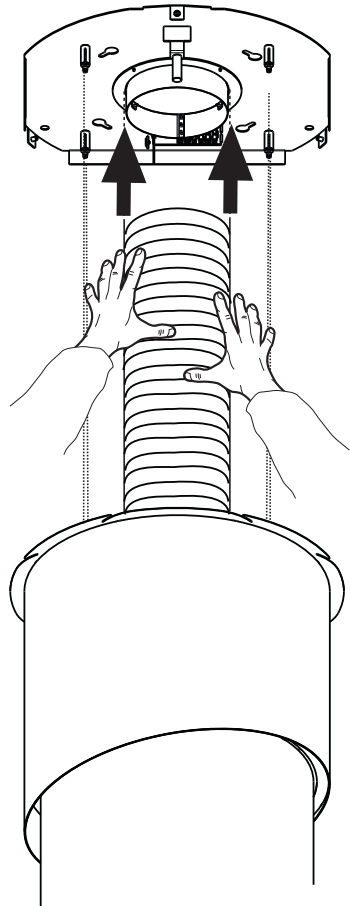
Zuletzt kontrollieren, ob das Stromkabel korrekt blockiert ist, beim Anheben des beweglichen Körpers zur Decke hin über diesem bleibt und nicht über die Konturen der Haube hinausragt.

## Anschlüsse

### LUFTAustrITT BEI DER ABLUFTVERSION

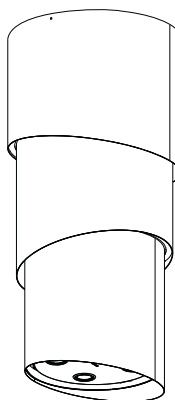
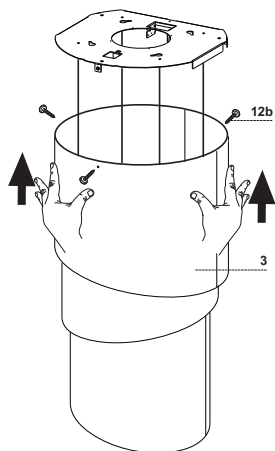
Für Installationen in Abluftversion die Haube mittels eines flexiblen Rohrs mit  $\varnothing 150$  an die Ableitung anschließen.

- Das Rohr mit geeigneten Rohrschellen am Haubenkörper und am Flansch an der Deckenplatte befestigen. Das hierzu erforderliche Material liegt bei.



## MONTAGE (Zwischenteil + Deckenteil des- Haubenkörpers)

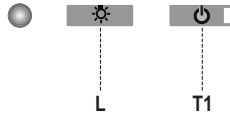
- Ausprobieren, ob die Haube funktioniert (Siehe Absatz Gebrauch).
- Den Deckenteil des Haubenkörpers **3** von unten in den an der Decke hängenden Haubenkörper schieben, wobei die Richtung wie in der Abbildung gezeigt sein muss.
- Mit den 3 mitgelieferten Schrauben **12b** den Deckenteil des Haubenkörpers **3** an der Deckenplatte befestigen.





# BEDIENUNG

## Schalttafel



Taste	Funktion	Display
L	Schaltet die Leuchtkörper ein oder aus.	-
T1	<b>Haube unten:</b> Mit 2 Sekunden langem Drücken wird die Haube angehoben. Ein kurzes Antippen schaltet den Motor ein oder aus.	Ein/Aus
	<b>Haube oben:</b> Einmal Drücken: Die Haube wird abgesenkt. Mit zweitem Drücken: Die Haube hält an. Nachdem die Bewegung abgeschlossen ist, schaltet sich der Motor bei der 2. Geschwindigkeit ein.	Aus/Aus

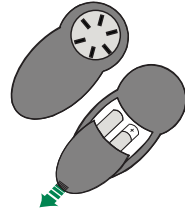
### Die Elektronik erkennt zwei Arten von Anomalien und gibt die entsprechende Meldung

LED T1	
Langsames Blinken	<b>Überschreiten der Stromaufnahme-Schwelle:</b> Im Falle einer Überlastung wird die Anomalie mittels Blinken in Abständen von 2 Sekunden der LED T1 an der Tastatur gemeldet. Sicherstellen, dass die Bewegung der Haube nicht durch Hindernisse behindert wird. Diese Meldung bleibt bis zu einer erneuten Öffnungs- oder Schließsteuerung aktiv.
	<b>Auslösen des Sicherheits-Mikroschalters während des Öffnens:</b> Im Falle des Auslösens des Sicherheits-Mikroschalters wird die Anomalie mittels schnellem Blinken (alle 250 ms) der LED T1 gemeldet, was bedeutet, dass die Haube den Endanschlag überschritten hat..... <b>Den Technischen Kundendienst hinzuziehen!</b> Während dieser Anomalie kann stets auf die Funktionen der Haube (Beleuchtung und Motor) zugegriffen werden, und wenn der Motor eingeschaltet ist, blinkt die LED T1 weiterhin, um anzuzeigen, dass die Anomalie noch vorliegt.
Schnelles Blinken	

## FERNBEDIENUNG



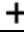



Dieses Gerät kann mit einer Fernbedienung gesteuert werden, welche mit alkalischen Zink-Kohle-Batterien 1,5 V des Standardtyps LR03-AAA versorgt wird (nicht im Lieferumfang enthalten).

- Die Fernbedienung nicht in die Nähe von Hitzequellen legen.
- Batterien müssen vorschriftsmäßig entsorgt werden.



## Schalttafel



Taste	Funktion	Display
	Stellt den Motor an/ab.	-
	<b>Geschlossene Haube:</b> <ul style="list-style-type: none"> <li>- Mit kurzem Antippen der Taste wird die Haube gesenkt</li> <li>- Mit nochmaligem Antippen hält die Haube an.</li> </ul> Nachdem die Bewegung abgeschlossen ist, schaltet sich der Motor bei der 2. Geschwindigkeit ein.	-
	<b>Geöffnete Haube:</b> <ul style="list-style-type: none"> <li>- Mit 2 Sekunden langem Drücken wird die Hubbewegung aktiviert, die am Endanschlag anhält.</li> <li>- Mit kurzem Antippen wird die Bewegung noch vor dem Endanschlag angehalten.</li> <li>- Ein weiteres kurzes Antippen schaltet den Motor ein oder aus.</li> <li>- Bei 2 Sekunden langem Drücken wird die Hubbewegung aktiviert.</li> <li>- Ist der Motor in Betrieb, wird zuerst er angehalten und dann die Bewegung aktiviert.</li> </ul>	-
	Verringert die Motordrehzahl.	-
	Erhöht die Motordrehzahl.	-
	<b>INTENSIVGESCHWINDIGKEIT</b> <ul style="list-style-type: none"> <li>- Nur einschaltbar bei abgesenkter Haube und wenn <b>Delay</b> oder <b>24h</b> aktiv.</li> <li>- Aktiviert von jeder Geschwindigkeitsstufe aus die Intensivgeschwindigkeit.</li> <li>- Um sie wieder auszuschalten, dieselbe Taste erneut drücken, oder den Motor abstellen.</li> <li>- Die Intensivgeschwindigkeit ist auf 10 Minuten zeiteregelt. Nach den 10 Minuten kehrt das System automatisch zur zuvor eingestellten Geschwindigkeit zurück.</li> </ul>	Die LED an der Motor-Taste (der Haubensteuerungen), blinkt 1 Mal pro Sekunde.
	<b>Bei kurzem Drücken Funktion Delay:</b> <ul style="list-style-type: none"> <li>Nur einschaltbar, wenn weder <b>Intensivgeschwindigkeit</b> noch <b>24h</b> aktiviert sind.</li> <li>Aktiviert und deaktiviert die 24h-Funktion während 24 Stunden jede Stunde für 10 Minuten.</li> <li>Um das Delay zu deaktivieren, dieselbe Taste erneut drücken, oder den Motor abschalten.</li> </ul>	Die LED an der Motor-Taste (der Haubensteuerungen), blinkt alle 0,5 Sekunden.
	<b>2 Sekunden langes Drücken Funktion 24H:</b> <ul style="list-style-type: none"> <li>Nur einschaltbar, wenn weder <b>Intensivgeschwindigkeit</b> noch <b>Delay</b> aktiviert sind.</li> <li>Aktiviert und deaktiviert die 24h-Funktion während 24 Stunden jede Stunde für 10 Minuten. Nach Ablauf der Zeit wird die Funktion deaktiviert.</li> </ul>	Die LED an der Motor-Taste (der Haubensteuerungen), blinkt alle 2 Sekunden.
	Schaltet die Beleuchtung der Haube ein oder aus.	-

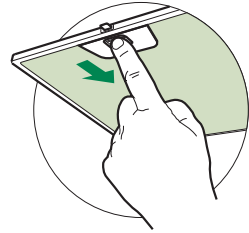
## Metallfettfilter

---

Der Filter sollte mindestens alle 2 Monate von Hand oder in der Spülmaschine gewaschen werden, bei intensiver Nutzung auch öfter.

### REINIGUNG DES METALLFETTFILTERS

- Die Beleuchtungseinheit öffnen, indem sie zur entsprechenden Kerbe gezogen wird
- Den Filter zu dem hinteren Teil der Gruppe schieben und gleichzeitig nach unten ziehen.
- Den Filter waschen, ohne ihn zu verbiegen, und vor dem erneuten Einbau trocknen lassen.
- Nun den Filter wieder einbauen, so dass der Griff nach der äußeren Sichtseite zeigt.
- Die Beleuchtungseinheit wieder verschließen.



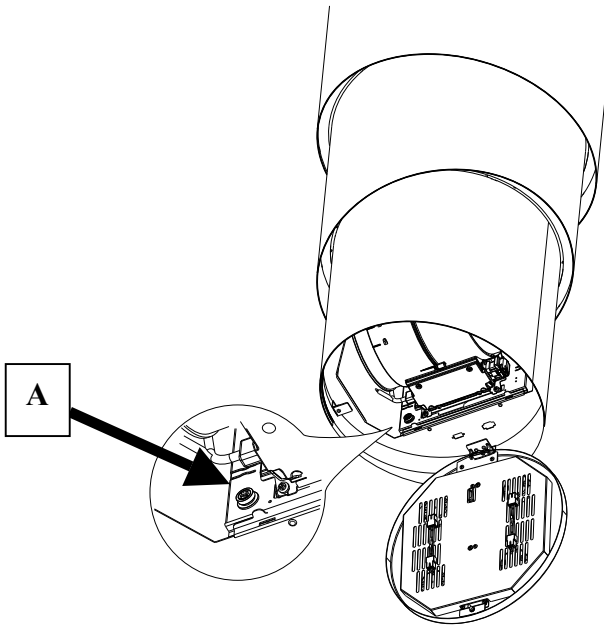
## Beleuchtung

---

### LED-Strahler

- Für den Austausch der LED-Strahler wenden Sie sich bitte an den Kundendienst.

**Achtung:** Dieses Gerät ist mit einer weißen LED-Lampe der Klasse 1M gemäß EN 60825-1 ausgestattet: 1994 + A1:2002 + A2:2001; max. gelieferte Lichtleistung @439nm: 7 $\mu$ W. Nicht direkt mit optischen Instrumenten (Fernglas, Lupe, usw.) in das Licht schauen.



### **Prozedur für den Fall von Anomalien der Bewegung**

4. Sicherstellen, dass die Sicherung korrekt eingesetzt und nicht durchgebrannt ist. Zum Auswechseln die Beleuchtungseinheit öffnen, den Fettfilter ausbauen, den links von der Motoreinheit sichtbaren Sicherungshalter ausschrauben und die Sicherung durch eine gleichwertige ersetzen (Bez. A).
5. Prüfen, ob der Haubenkörper nivelliert ist (eine Wasserwaage benutzen).
6. Prüfen, ob alle vier Seile gleichmäßig gespannt sind.

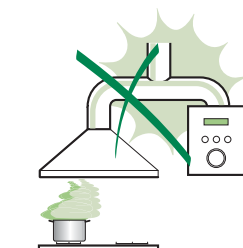
Falls das Problem mit diesen Eingriffen nicht gelöst werden kann, den Technischen Kundendienst hinzuziehen.

## CONSEJOS Y SUGERENCIAS

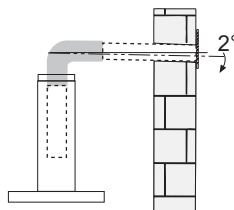
- △ Las instrucciones de uso se aplican a varios modelos de este aparato. Por lo tanto, usted puede encontrar descripciones de características individuales que no pertenecen a su aparato en concreto.

### INSTALACIÓN

- El fabricante no se hace responsable de los daños provocados por una instalación o uso indebido.
- La distancia mínima de seguridad entre el plano de cocción y la campana extractora es de 650 mm (algunos modelos pueden ser instalados a una altura inferior; véase el párrafo relativo a las dimensiones de trabajo y la instalación).
- Compruebe que la tensión de alimentación corresponda a la indicada en la placa de datos colocada en el interior de la campana.



- Para los aparatos de Clase I, compruebe que la red eléctrica doméstica tenga una conexión a tierra adecuada. Conecte la campana extractora al conducto de humo a través de un tubo con un diámetro mínimo de 120 mm. La trayectoria del humo debe ser lo más corta posible.
- No conecte la campana extractora a los conductos de humo que transportan humo de combustión (ej. calderas, chimeneas, etc.).
- Si la campana extractora se utiliza en combinación con aparatos no eléctricos (por ejemplo, aparatos de gas), debe garantizarse un grado suficiente de ventilación en el recinto para evitar el retorno del flujo de los gases de escape. La cocina debe tener una abertura comunicante directamente con el exterior para asegurar la entrada de aire fresco. Cuando se utiliza la campana para cocina en combinación con aparatos no alimentados por corriente eléctrica, la presión negativa en el recinto no debe superar los 0,04 mbar para evitar que el humo sea reaspirado en el recinto por la campana.
- En caso de daños en el cable de alimentación, éste debe ser sustituido por el fabricante o el departamento de servicio para evitar cualquier riesgo.



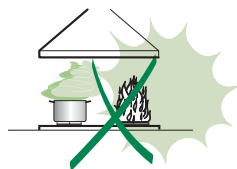
- Si las instrucciones de instalación del plano de cocción de gas especifican una distancia mayor de la indicada anteriormente, es necesario tenerlo en cuenta. Se tienen que respetar todas las normativas con respecto a la descarga del aire.
- Utilizar sólo los tornillos y accesorios metálicos de un tipo adecuado para la campana.

**Advertencia:** No instalar tornillos o sujetadores de acuerdo con estas instrucciones puede provocar descargas eléctricas.

- Conectar la campana a la alimentación de red interponiendo un interruptor bipolar con distancia entre los contactos de por lo menos 3 mm.

## USO

- La campana extractora está diseñada exclusivamente para uso doméstico, para eliminar los olores de la cocina.
- Nunca utilice la campana para fines distintos de aquellos para los que fue diseñada.
- No deje nunca llamas altas bajo la campana cuando está en funcionamiento.
- Ajuste la intensidad de la llama para dirigirla sólo a la parte inferior del recipiente de cocción, asegurándose de que no llegue a los lados.
- Las freidoras deben ser controladas continuamente durante su uso: el aceite recalentado puede incendiarse.
- No realice flambeados bajo la campana: se podría producir un incendio.
- Este aparato puede ser usado por niños de edad no inferior a 8 años y por personas con reducidas capacidades psicológicas, físicas y sensoriales o con experiencia o conocimiento inadecuados, siempre que estén cuidadosamente supervisados e instruidos sobre cómo utilizar de forma segura el equipo y los peligros que esto implica. Asegúrese de que los niños no jueguen con el aparato. La limpieza y mantenimiento por parte del usuario no deben ser realizados por los niños, a menos que sean supervisados.




- **ATENCIÓN:** las partes accesibles pueden calentarse mucho durante el uso de aparatos de cocción.

## MANTENIMIENTO

- Apague o desconecte el aparato de la red eléctrica antes de cualquier operación de limpieza o mantenimiento.
- Limpie y/o reemplace los filtros después del período de tiempo especificado (peligro de incendio).
- Los filtros de grasa deben limpiarse cada 2 meses de operación, o con mayor frecuencia si se utilizan muy frecuentemente y se pueden lavar en el lavavajillas.
- El filtro de carbón activo no se puede lavar ni regenerar, y se debe cambiar cada 4 meses de funcionamiento aproximadamente, o con mayor frecuencia si se utiliza muy frecuentemente.
- “Existe el riesgo de incendio si la limpieza no se realiza conforme a las instrucciones”.
- Limpie la campana con un paño húmedo y un detergente líquido suave.

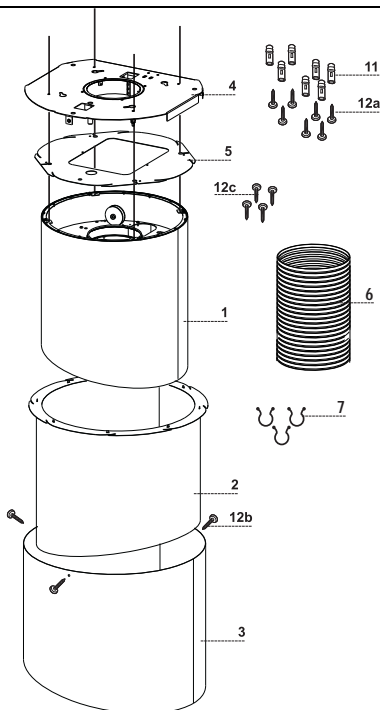


El símbolo  en el producto o en el embalaje indica que el producto no se debe considerar un desecho doméstico normal. El producto a eliminar se debe llevar a un centro de recogida apropiado para el reciclado de equipos eléctricos y electrónicos. Mediante la eliminación de este producto de manera apropiada, se contribuye a evitar consecuencias negativas para el medio ambiente y para la salud, que pudieran derivarse de una eliminación inadecuada del producto. Para obtener informaciones más detalladas sobre el reciclaje de este producto, ponerse en contacto con el ayuntamiento, el servicio local de eliminación de desechos o la tienda donde se compró el producto.

# CARACTERÍSTICAS

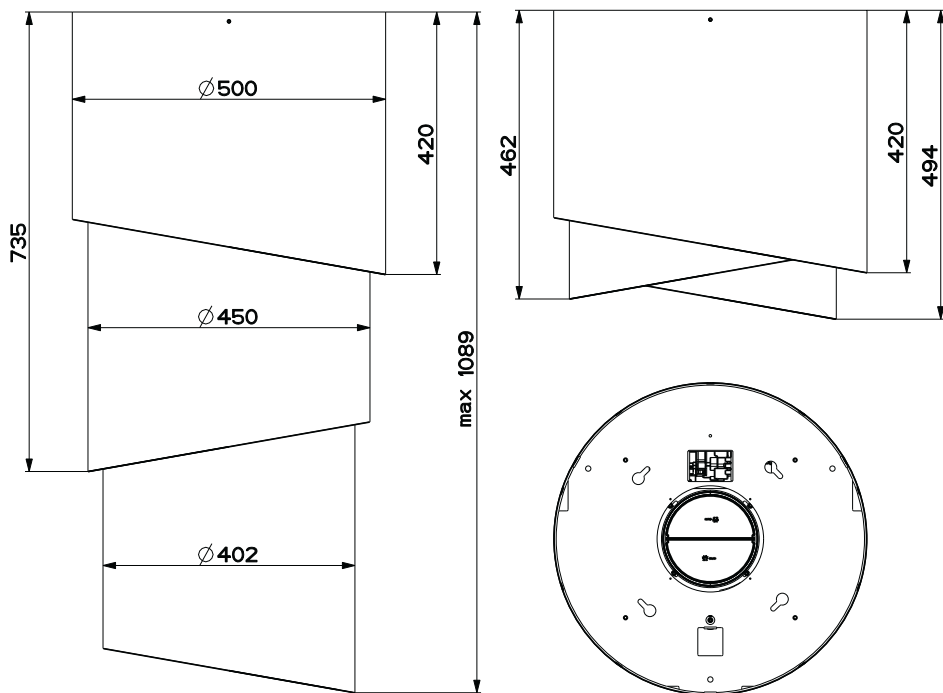
## Componentes

Ref.	Cant.	Componentes de producto
1	1	Cuerpo de la campana dotado de: mandos, luz, filtros, motor.
2	1	Cuerpo de la campana intermedio
3	1	Cuerpo de la campana de techo
4	1	Placa de soporte campana + brida
5	1	Panel superior del cuerpo de la campana
6	1	Tubo
7	3	Grapas para la fijación del cable de alimentación
Ref.	Cant.	Componentes de instalación
11	7	Tacos $\varnothing$ 10
12a	7	Tornillos 4,2 x 44,4
12b	3	Perillas de fijación
12c	4	Tornillos 3,5 x 9,5
Cant.	Documentación	
1	Manual de instrucciones	





## Dimensiones



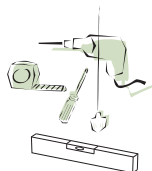
# INSTALACIÓN

Esta campana está predispuesta para ser instalada en techo/repisa, sobre (650 mm min) un plano de cocción de isla en:

- **Versión aspirante:** Evacuación externa.

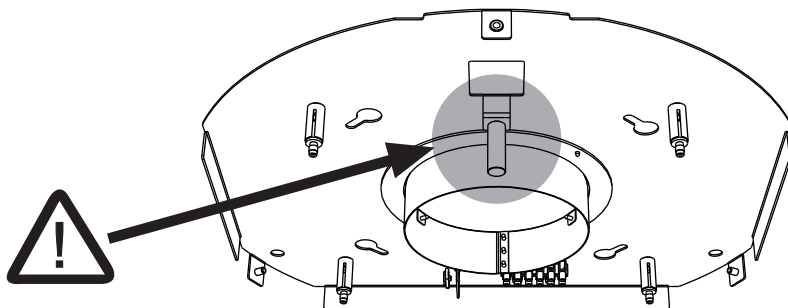
## Secuencia operaciones de instalación

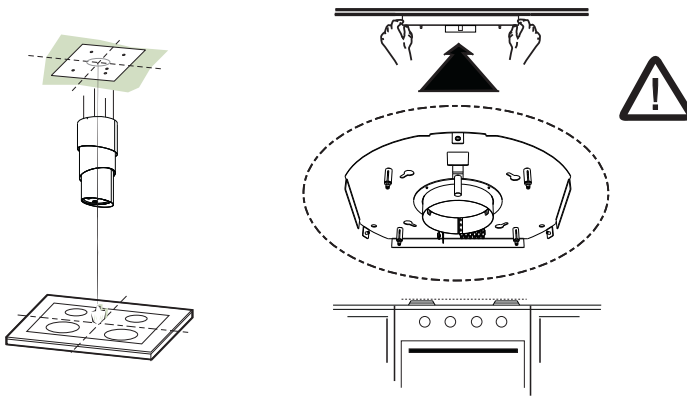
- **Preparación a la Instalación**
- **Perforación techo/repisa y fijación placa de soporte**
- **Conexiones**
- **Montaje cuerpo campana**
- **Control funcional**
- **Eliminación embalajes**



## Preparación para el montaje de la placa

- Tomar la placa y colocarla en el sentido correcto como se indica en la figura. El pasador debe estar en posición frontal respecto al instalador.





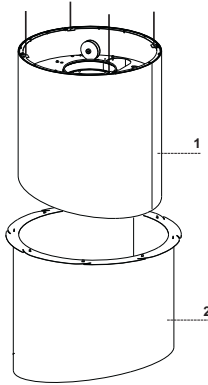
## Perforación techo/repisa y fijación placa

### PERFORACIÓN TECHO/REPISA

- Con la ayuda de un hilo de plomada marcar en el techo/repisa de soporte el centro del plano de cocción.
- Apoyar al techo/repisa la placa poniendo atención en posicionarla en el sentido justo, como se indica en la figura.
- Marcar los centros de los orificios de la placa.
- Perforar los siguientes puntos:
- Techo de hormigón macizo: según tacos para hormigón empleados.
- Techo de ladrillos con cámara de aire, con espesor resistente de 20 mm: perforar  $\varnothing$  10 mm (insertar inmediatamente los tacos **11** en dotación).
- Techo de armazón de madera. según tornillos para madera empleados (no suministrados).
- Repisa de madera, con espesor resistente de 15 mm: perforar  $\varnothing$  7 mm.
- Paso del cable eléctrico de alimentación: perforar  $\varnothing$  10 mm.
- Atornillar, cruzándolos y dejando 4-5 mm desde el techo, dos tornillos:
- para hormigón macizo, tacos para hormigón, no en dotación.
- para ladrillos con cámara de aire, con espesor resistente de 20 mm aproximadamente, tornillos **12h**, en dotación.
- para armazón de madera, tornillos para madera, no en dotación.
- para repisa de madera, tornillos con arandelas y tuercas no en dotación.

## FIJACIÓN (CUERPO DE LA CAMPANA + CUERPO DE LA CAMPANA INTERMEDIO)

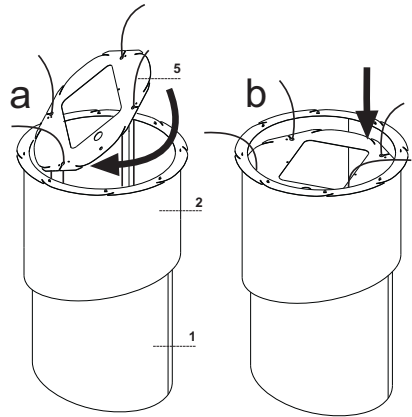
- Introducir el cuerpo de la campana **1** en el cuerpo de la campana intermedio **2**.



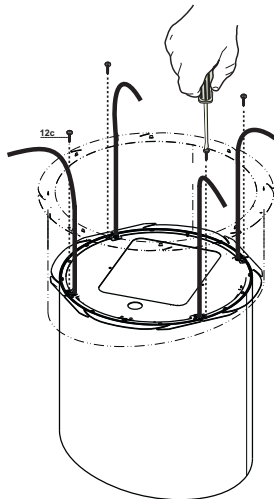
- Tomar el panel superior del cuerpo de la campana **5** e introducirlo como se muestra en la figura.

### Atención

el panel superior del cuerpo de la campana **5** se coloca introduciendo primero un lado y luego otro, aprovechando de los lados achaflanados y poniendo atención para no dañar los cables, que deben pasar por los ojales correspondientes.



- Bajar el panel hasta apoyarlo sobre el cuerpo de la campana **1** y, luego, atornillarlo con los 4 tornillos **12c** en dotación.

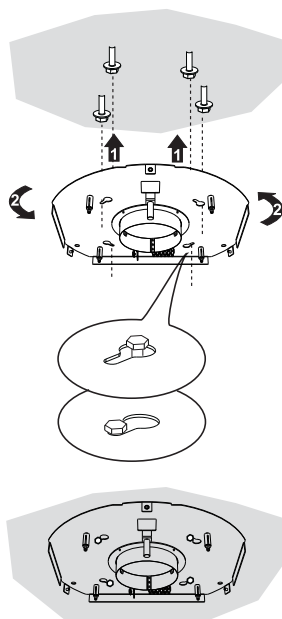


## FIJACIÓN DE LA PLACA

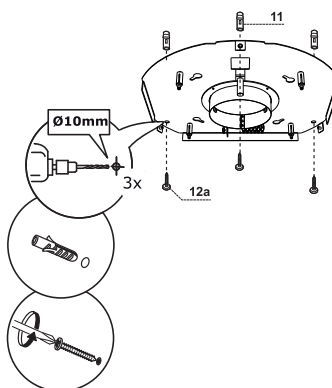
- Levantar la placa de fijación y encastrar los ojales en los dos tornillos preparados precedentemente en el techo y girar hasta el centro del ojal de regulación.

**Atención:** El sentido de la placa debe ser como aquél indicado en la figura.

- Apretar los dos tornillos y atornillar los otros dos en dotación, antes de apretar definitivamente los tornillos es posible efectuar regulaciones girando la pieza, cuidando que los tornillos no salgan del asiento del ojal de regulación.
- La fijación debe ser segura considerando tanto el peso de la campana como los esfuerzos causados por empujes laterales ocasionales al aparato montado. Una vez que se ha efectuado la fijación, verificar que la placa quede estable.
- En todos los casos en que el techo no sea lo suficientemente robusto en el punto de suspensión, el instalador deberá proceder a robustecerlo con oportunas placas y contraplacas ancladas a partes estructuralmente resistentes.
- Verifica la nivelación de la placa del techo.



- En el caso se considere oportuno es posible afirmar la campana a la pared mediante otros 3 tornillos con taco.



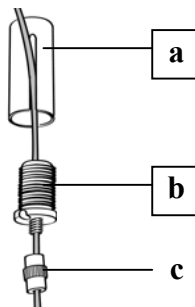
## CONEXIÓN CABLES CAMPANA-PLACA

**Nota** Antes de seguir con la instalación es necesario llevar la campana a la altura de por lo menos 650 mm desde el plano de cocción con un soporte o con la ayuda de una segunda persona.

⚠ Esta precaución es fundamental en cuanto iremos a conectar los cables de la campana a la placa montada en el techo **necesariamente** sin tener el peso de la campana que se cargue sobre la estructura.

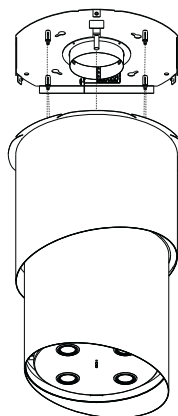
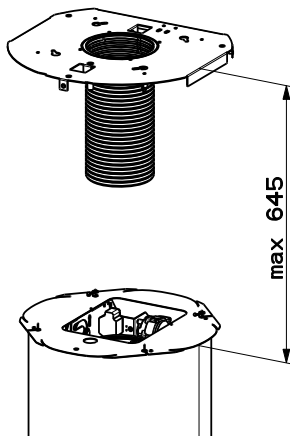
El sistema de fijación de los 4 cables está formado de 3 partes:

- Pasador roscado (a) ya montado en la placa de techo.
  - Tornillo bloqueacable (b) en dotación.
  - Perilla de seguridad (c) en dotación
- Introducir las perillas de seguridad (c) en los respectivos cables con el roscado hacia lo alto.
  - Introducir los tornillos bloqueacable (b) en los respectivos cables.

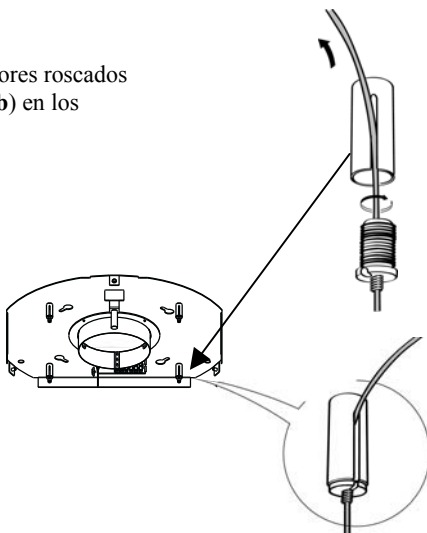


- Poner atención al sentido de la placa fijada en el techo (el pasador de fin de carrera de la placa tiene su orificio correspondiente en el cuerpo de la campana).

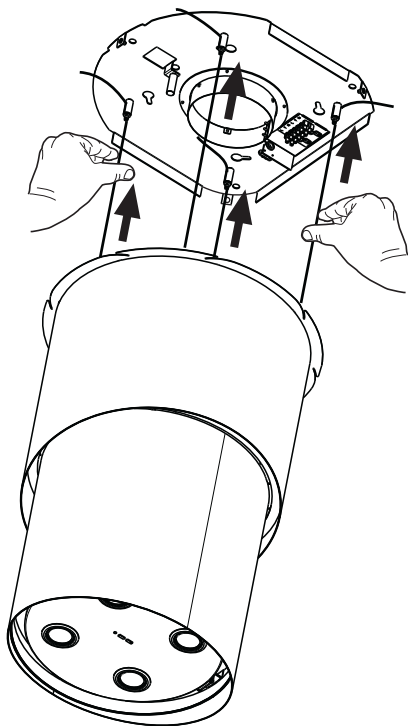
⚠ **Atención..:** La máxima extensión del movimiento de la campana no puede superar los 645mm.



- Pasar los cables por los ojales de los pasadores roscados (a) y atornillar los tornillos bloqueacable (b) en los mismos pasadores.
- Una vez terminada la operación el resultado debe ser como se indica en la figura para los 4 cables.



- Una vez llegados a este punto tenemos los 4 cables conectados a la placa.



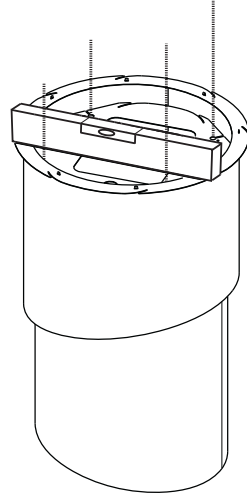
**Poner en tensión los cables empujándolos hacia lo alto de manera que se desplacen dentro del tornillo bloqueacable y fuera del ojal del pasador roscado.**

**Esto es posible porque el tornillo bloqueacable tiene un sistema que permite el desplazamiento del cable en su interior en un solo sentido bloqueando el desplazamiento en el sentido contrario.**

**Poner atención a que los cables tengan todos la misma longitud para facilitar la operación de nivelación final, y el cable delantero izquierdo no debe estar más aflojado que los demás.**

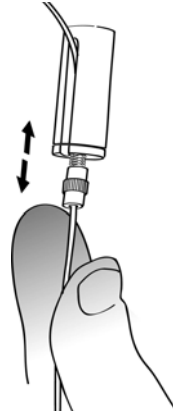
## NIVELACIÓN DE LA CAMPANA

- Es necesario efectuar la nivelación del cuerpo de la campana.
- La nivelación de la campana se efectúa operando en los pasadores de seguridad C.



- Apoyar un nivel en la campana.

- Ejerciendo una presión, hacia lo alto, en las perillas de seguridad se “desbloquea” el movimiento del cable. Insertando o extrayendo el cable desde el tornillo bloqueable es posible efectuar las regulaciones que permiten la nivelación del cuerpo móvil de la campana.
- Una vez que se ha nivelado a medida la campana, hay que apretar las perillas de seguridad.



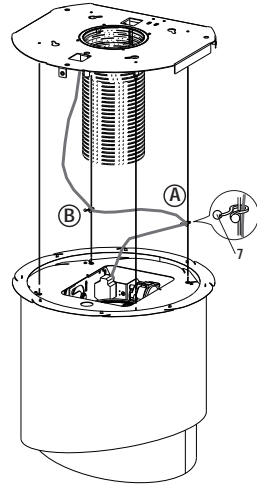
### Atención:

- Comprobar que los 4 cables de soporte estén en tensión.
- Comprobar que los 4 cables de soporte no hayan sufrido daños durante la instalación.
- Hay que recordar que la distancia mínima entre la campana y el plano de cocción de la cocina debe ser como mínimo de 650 mm y que la máxima extensión del movimiento no puede superar los 645 mm.

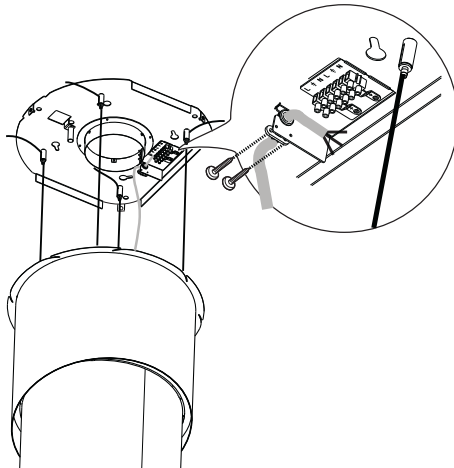


## FIJACIÓN DEL CABLE DE ALIMENTACIÓN

- Tomar el cable de alimentación procedente de la caja de conexión eléctrica y pinzarlo con las grapas de fijación de cable 7, primero al cable posterior derecho (A) y luego al izquierdo (B) como se indica en la figura.



- Llevar el cable de alimentación a la placa del techo.
- Insertar el pasacable de goma, ya introducido en el cable de alimentación, en el ojal para evitar daños futuros.
- Fijarlo a la brida en la placa del techo utilizando la lengüeta ya montada.
- Conectar la campana a la alimentación de red interponiendo un interruptor bipolar con una apertura de los contactos de por lo menos 3 mm



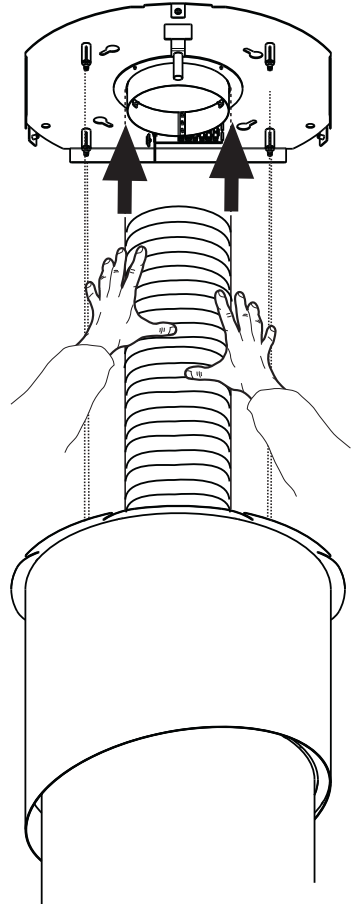
Verificar por último que el cable de alimentación quede bloqueado correctamente, controlando que cuando el cuerpo móvil se levanta hacia el techo, éste se posicione arriba del cuerpo móvil y no sobresalga del contorno de la campana.

## Conexiones

### SALIDA DE AIRE EN VERSIÓN ASPIRANTE

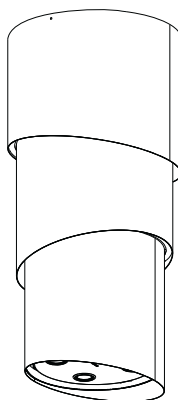
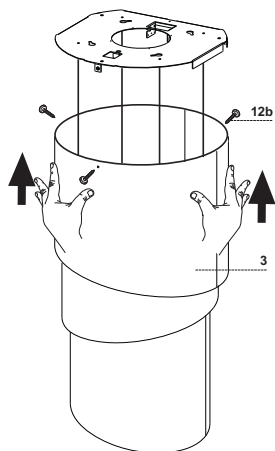
Para la instalación en versión aspirante conectar la campana a la tubería de salida mediante un tubo extensible de  $\varnothing 150$  mm.

- Fijar el tubo con adecuadas abrazaderas ajustables al cuerpo de la campana y a la brida en la placa del techo. El material necesario se encuentra en la dotación.

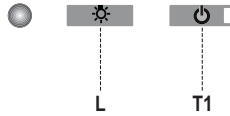


## FIJACIÓN (cuerpo de la campana intermedio + cuerpo de la campana de techo)

- Efectuar algunas pruebas para verificar que la campana funcione (Ver párrafo Uso).
- Introducir por debajo el cuerpo de la campana de techo **3** en el cuerpo de la campana colgado del techo, teniendo cuidado al sentido, que debe ser el indicado en la figura.
- Fijar con 3 tornillos **12b** en dotación el cuerpo de la campana de techo **3** la placa del techo.



## Tablero de mandos



Tecla	Función	Display
L	Enciende/Apaga las luces.	-
T1	<b>Campana baja</b> Presionada por 2 segundos eleva la campana. Presionado brevemente On/Off motor.	Encendido/Apagado
	<b>Campana baja</b> Primera presión: la campana baja. Segunda presión: Stop campana Una vez terminado el movimiento el motor se enciende a la segunda velocidad.	Apagado/Apagado

### La electrónica reconoce dos tipos de anomalías y procede a dar la relativa señalización

Led T1	
Parpadeo lento	<b>Superación del umbral de absorción corriente:</b> En el caso se verifique una condición de sobrecarga, se señala la anomalía mediante el parpadeo cada 2 segundos del led <b>T1</b> en el teclado. Verificar que no hayan impedimentos durante el movimiento de la campana. Esta señalización permanece activa hasta un nuevo mando de apertura/cierre de la campana.
	<b>Intervención del micro de seguridad en la fase de apertura:</b> En el caso de intervención del micro de seguridad, la anomalía es señalizada por el led <b>T1</b> que parpadea rápidamente (cada 250ms) lo cual significa que la campana ha superado el fin de carrera..... <b>Ponerse en contacto con la Asistencia Técnica!</b>  Durante esta anomalía siempre es posible acceder a las funciones de la campana (luz y motor) y en el caso de motor encendido el led <b>T1</b> seguirá parpadeando señalando que la anomalía aún está presente.
Parpadeo veloz	

## MANDO A DISTANCIA



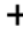



El aparato puede comandarse con un mando a distancia que funciona con pilas alcalinas zinkcarbón de 1,5 V del tipo standard LR03-AAA (no incluido).

- No dejar el mando a distancia cerca de una fuente de calor.
- Tirar las pilas, cuando se hayan agotado, en los contenedores especiales colocados con dicho fin.



### Tablero de mandos



Tecla	Función	Display
	Enciende/Apaga el motor	-
	<b>Campana cerrada</b> - Presionando la tecla brevemente la campana comienza a bajar - A la sucesiva presión se detiene. Una vez terminado el movimiento el motor se enciende a la 2ªv.	-
	<b>Campana abierta:</b> - Si se mantiene presionada por 2 segundos activa el movimiento para la subida que se detiene con el microinterruptor de tope. - Presionando (brevemente) se detiene el movimiento (antes del tope) - Presionando de nuevo brevemente on/off motor. - Manteniéndola presionada por 2 segundos activa el movimiento para la subida. - Si el motor está encendido, antes detiene el motor y luego pone en marcha el movimiento.	-
	Decrementa la velocidad del motor.	-
	Incrementa la velocidad del motor.	-
	<b>INTENSIVA</b> - Activable sólo con la campana abajo y cuando no están activos el <b>delay</b> o el <b>24h</b> . - Activa la velocidad intensiva desde cualquier velocidad. Para desconectarla basta presionar de nuevo la misma tecla o apagar el motor. - La velocidad intensiva está temporizada en 10 minutos. Al terminar los 10 minutos el sistema se vuelve automáticamente a la velocidad implementada precedentemente.	El led presente en la tecla motor (de los mandos campana) parpadea una vez por segundo.
	<b>Presionada brevemente función Delay</b> Activable sólo cuando no está activa la <b>Intensiva</b> o la <b>24h</b> . Activa y desactiva la modalidad de parada total de la campana (motor + luces) después de 30 minutos. Para deshabilitar el Delay se puede presionar nuevamente la misma tecla o bien apagar el motor.	El led presente en la tecla motor (de los mandos campana) parpadea cada 0.5 segundos.
	<b>Manteniéndola presionada por 2 seg. Función 24H</b> Activable sólo cuando no está activa la <b>Intensiva</b> o el <b>Delay</b> . Activa y desactiva la función 24 por 10 minutos cada hora, por 24 horas. Al vencimiento se desactiva.	El led presente en la tecla motor (de los mandos campana) parpadea cada 2 segundos.
	Enciende/Apaga las luces de la campana.	-

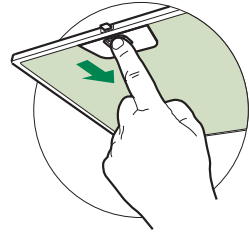
# MANTENIMIENTO

---

## Filtro antigrasa metálico

---

Se puede lavar en lavavajillas, y necesita ser lavado al menos cada 2 meses de uso aproximadamente o más frecuentemente, para un uso particularmente intenso.



### LIMPIEZA FILTRO ANTIGRASA METÁLICO

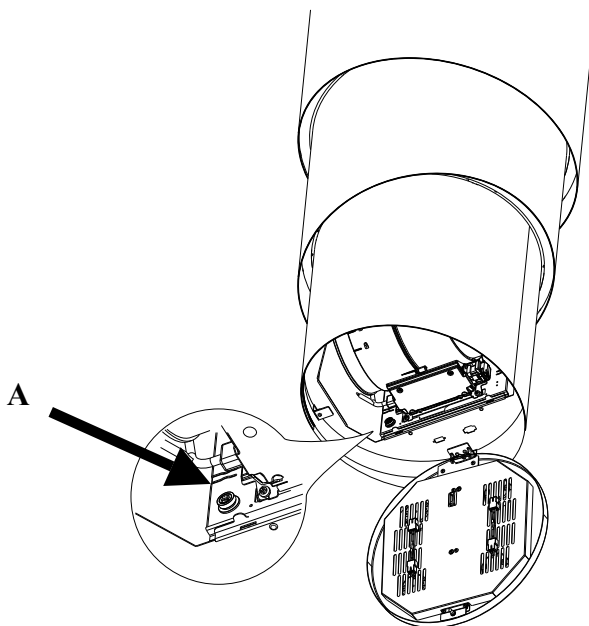
- Abrir el grupo iluminación tirándolo en la muesca específica.
- Quitar el filtro, empujándolo hacia la parte posterior del grupo y tirando simultáneamente hacia abajo.
- Lavar el filtro evitando doblarlo, y dejarlo secar antes de volverlo a montar.
- Montarlo nuevamente teniendo cuidado de mantener la manija hacia la parte visible externa.
- Cerrar nuevamente el grupo iluminación.

## Iluminación

---

**Atención :** Este aparato está provisto de una luz LED blanca de clase I M según la norma EN 60825-1: 1994 + A1:2002 + A2:2001; máxima potencia óptica emitida@439nm:  $7\mu W$ . No observar directamente con instrumentos ópticos (catalejo, lupa.....)

. Para la sustitución ponerse en contacto con la Asistencia Técnica. ("Para la compra dirigirse a la asistencia técnica").



### **Procedimiento de intervención en caso de anomalías en el movimiento**

7. Verificar que el fusible esté correctamente colocado y que no esté quemado. Para una eventual sustitución del fusible, abrir el grupo de iluminación, quitar el filtro antigrasa, desenroscar el portafusible que se ve a la izquierda del grupo motor y sustituirlo con uno de características iguales (Ref. **A**).
8. Verificar que el cuerpo de la campana esté instalado a nivel (se aconseja utilizar un nivel).
9. Verificar que los cuatro cables estén tensados de la misma manera.

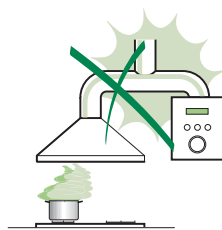
Si las acciones anteriores no han resuelto el problema, contactar la Asistencia Técnica.

## ΣΥΜΒΟΥΛΕΣ ΚΑΙ ΣΥΣΤΑΣΕΙΣ

- ⚠ Οι οδηγίες χρήσης αναφέρονται σε διαφορετικά μοντέλα αυτής της συσκευής. Επομένως, μπορεί να συναντήσετε περιγραφές κάποιων χαρακτηριστικών που δεν ανήκουν στη δική σας συσκευή.

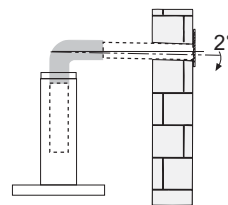
### ΕΓΚΑΤΑΣΤΑΣΗ

- Ο κατασκευαστής δεν μπορεί να θεωρηθεί υπεύθυνος για ενδεχόμενες ζημιές που οφείλονται σε ακατάλληλη εγκατάσταση ή χρήση.
- Η ελάχιστη απόσταση ασφαλείας μεταξύ της επιφάνειας των εστιών και του απορροφητήρα είναι 650 mm (Ορισμένα μοντέλα μπορούν να εγκατασταθούν σε μικρότερο ύψος. Ανατρέξτε στην παράγραφο με τις διαστάσεις λειτουργίας και εγκατάστασης).
- Βεβαιωθείτε ότι η τάση του δικτύου αντιστοιχεί στην τιμή που αναγράφεται στην πινακίδα χαρακτηριστικών στο εσωτερικό του απορροφητήρα.
- Για τις συσκευές Κλάσης I, βεβαιωθείτε ότι το οικιακό δίκτυο τροφοδοσίας είναι κατάλληλα γειωμένο.



Συνδέστε τον απορροφητήρα στην καπνοδόχο με ένα σωλήνα με ελάχιστη διάμετρο 120 mm. Η διαδρομή των ατμών πρέπει να είναι όσο το δυνατόν συντομότερη.

- Μη συνδέετε τον απορροφητήρα σε αγωγούς απαγωγής καπναερίων που παράγονται από καύση (π.χ. λέβητες, τζάκια κλπ.).
- Αν χρησιμοποιείτε τον απορροφητήρα σε συνδυασμό με άλλες μη ηλεκτρικές συσκευές (π.χ. συσκευές υγραερίου), θα πρέπει να εξασφαλίσετε τον επαρκή αερισμό του χώρου ώστε να εμποδίσετε την επιστροφή των καπναερίων. Η κουζίνα πρέπει να διαθέτει ένα άνοιγμα που να επικοινωνεί απευθείας με το εξωτερικό ώστε να εξασφαλίζεται η είσοδος καθαρού αέρα. Όταν ο απορροφητήρας της κουζίνας χρησιμοποιείται σε συνδυασμό με μη ηλεκτρικές συσκευές, η αρνητική πίεση του χώρου δεν πρέπει να υπερβαίνει τα 0,04 mbar έτσι ώστε να αποφεύγεται η επιστροφή των καπναερίων στο χώρο και η αναρρόφησή τους από τον απορροφητήρα.
- Σε περίπτωση ζημιάς του ηλεκτρικού καλωδίου, αυτό πρέπει να αντικατασταθεί από τον κατασκευαστή ή από το σέρβις, ώστε να προληφθεί κάθε κίνδυνος.





- Αν οι οδηγίες εγκατάστασης της μονάδας εστιών με υγραέριο υποδεικνύουν ότι απαιτείται απόσταση μεγαλύτερη από εκείνη που αναφέρεται παραπάνω, είναι απαραίτητο να τις λάβετε υπόψη. Πρέπει να τηρούνται όλοι οι κανονισμοί αναφορικά με την εκκένωση του αέρα.
- Χρησιμοποιείτε μόνο βίδες και εξαρτήματα κατάλληλου τύπου για τον απορροφητήρα. **Προειδοποίηση:** η μη τοποθέτηση των βιδών και των συστημάτων στερέωσης σύμφωνα με τις παρούσες οδηγίες, μπορεί να προκαλέσει ηλεκτροπληξία.
- Συνδέστε τον απορροφητήρα στο δίκτυο τροφοδοσίας παρεμβάλλοντας ένα διπολικό διακόπτη με άνοιγμα επαφών τουλάχιστον 3 mm.

## ΧΡΗΣΗ

- Ο απορροφητήρας έχει μελετηθεί αποκλειστικά για οικιακή χρήση και για την απαγωγή των οσμών της κουζίνας.
- Ποτέ μη χρησιμοποιείτε τον απορροφητήρα για σκοπό διαφορετικό από εκείνον για τον οποίο έχει σχεδιαστεί.
- Ποτέ μην αφήνετε φλόγες μεγάλης έντασης κάτω από τον απορροφητήρα όταν λειτουργεί.
- Ρυθμίστε την ένταση της φλόγας έτσι ώστε να κατευθύνεται αποκλειστικά προς τον πάτο του σκεύους μαγειρέματος, εξασφαλίζοντας ότι δεν προεξέχει από τις πλευρές του.
- Οι φριτζές πρέπει να ελέγχονται συνεχώς όταν χρησιμοποιούνται: το καυτό λάδι μπορεί να πάρει φωτιά.
- Μην μαγειρεύετε φαγητά φλαμπέ κάτω από τον απορροφητήρα: μπορεί να προκληθεί πυρκαγιά.
- Αυτή η συσκευή μπορεί να χρησιμοποιηθεί από παιδιά ηλικίας άνω των 8 ετών και από άτομα με μειωμένες ψυχικές ή διανοητικές ικανότητες, ή από άτομα χωρίς πείρα και επαρκή γνώση, αρκεί να επιβλέπονται και εκπαιδεύονται στην ασφαλή χρήση της συσκευής και στους κινδύνους που απορρέουν από αυτή. Βεβαιωθείτε ότι τα παιδιά δεν παίζουν με τη συσκευή. Ο καθαρισμός και η συντήρηση δεν πρέπει να εκτελούνται από παιδιά, εκτός εάν επιβλέπονται.




- **ΠΡΟΣΟΧΗ:** τα προσβάσιμα μέρη μπορεί να έχουν υψηλή θερμοκρασία κατά τη χρήση των συσκευών μαγειρέματος.

## ΣΥΝΤΗΡΗΣΗ

- Σβήνετε ή αποσυνδέετε τη συσκευή από το ηλεκτρικό δίκτυο πριν από οποιαδήποτε επέμβαση καθαρισμού ή συντήρησης.
- Καθαρίζετε ή/και αντικαθιστάτε τα φίλτρα μετά την καθορισμένη χρονική περίοδο (κίνδυνος πυρκαγιάς).
- Τα φίλτρα για λίπη πρέπει να καθαρίζονται κάθε 2 μήνες λειτουργίας ή συχνότερα σε περίπτωση ιδιαίτερα συχνής χρήσης και μπορούν να πλυθούν στο πλυντήριο πιάτων.
- Το φίλτρο ενεργού άνθρακα δεν μπορεί να πλυθεί ούτε να αναγεννηθεί και πρέπει να αντικαθίσταται περίπου κάθε 4 μήνες λειτουργίας ή συχνότερα σε περίπτωση ιδιαίτερα συχνής χρήσης.
- Υπάρχει κίνδυνος πυρκαγιάς σε περίπτωση που ο καθαρισμός δεν γίνει σύμφωνα με τις οδηγίες.
- Καθαρίζετε τον απορροφητήρα χρησιμοποιώντας ένα υγρό πανί και ουδέτερο υγρό απορρυπαντικό.



Το σύμβολο  πάνω στο προϊόν ή πάνω στη συσκευασία του υποδεικνύει ότι το προϊόν δεν πρέπει να διατίθεται σαν ένα συνηθισμένο οικιακό απόρριμμα. Το προϊόν προς διάθεση πρέπει να παραδίδεται σε ένα κατάλληλο κέντρο συλλογής για την ανακύκλωση των ηλεκτρικών και ηλεκτρονικών συσκευών. Φροντίζοντας για τη σωστή διάθεση αυτού του προϊόντος, συμβάλλετε στην αποφυγή πιθανών αρνητικών επιπτώσεων για το περιβάλλον και την υγεία, που μπορεί να οφείλονται στην ακατάλληλη διάθεσή του. Για λεπτομερέστερες πληροφορίες σχετικά με την ανακύκλωση αυτού του προϊόντος, απευθυνθείτε στο Δήμο, στην τοπική υπηρεσία συλλογής απορριμμάτων ή στο κατάστημα από το οποίο αγοράσατε το προϊόν.

# ΧΑΡΑΚΤΗΡΙΣΤΙΚΑ

## Εξαρτήματα

### Αναφ. Ποσ. Εξαρτήματα της συσκευής

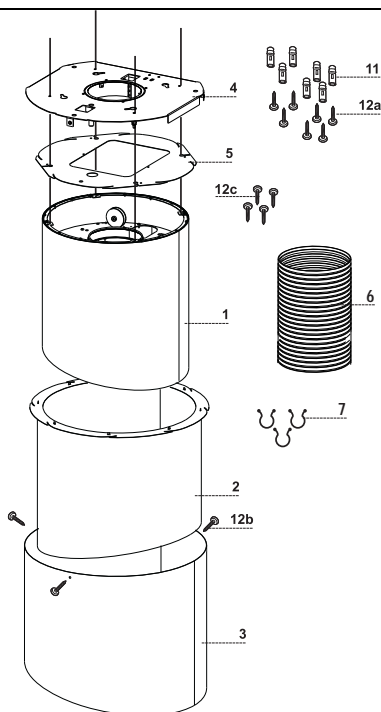
1	1	Σώμα απορροφητήρα με: Χειριστήρια, Φωτισμό, Φίλτρα, Μοτέρ.
2	1	Ενδιάμεσο σώμα απορροφητήρα
3	1	Σώμα απορροφητήρα οροφής.
4	1	Πλάκα στήριξης απορροφητήρα + Φλάντζα.
5	1	Πάνω κάλυμμα σώματος απορροφητήρα
6	1	Σωλήνας
7	3	Κλιπ στερέωσης ηλεκτρικού καλωδίου

### Αναφ. Ποσ. Εξαρτήματα για την εγκατάσταση

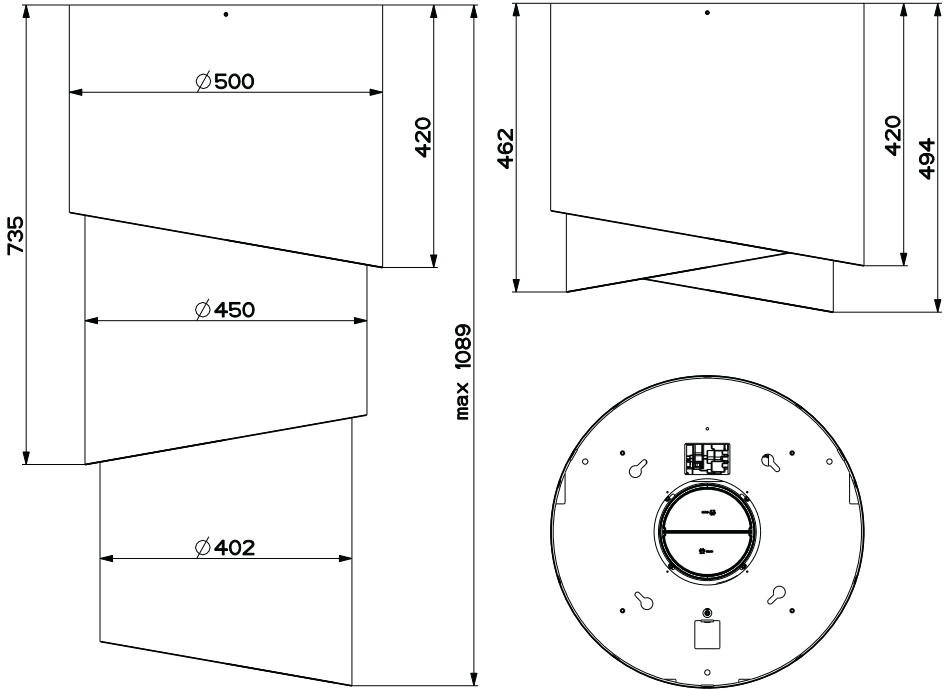
11	7	Ούπα Φ 10
12a	7	Βίδες 4,2 x 44,4
12b	3	Πόμολα στερέωσης
12c	4	Βίδες 3,5 x 9,5

### Ποσ. Έντυπα

1	Εγχειρίδιο οδηγιών
---	--------------------



## Διαστάσεις



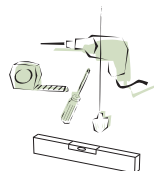
# ΕΓΚΑΤΑΣΤΑΣΗ

Αυτός ο απορροφητήρας μπορεί να τοποθετηθεί σε οροφή/ράφι, πάνω (ελάχ. 650 mm) από μια επιφάνεια εστιών με νησίδα σε:

- **Μοντέλο Απαγωγής:** Εξωτερική εκκένωση.

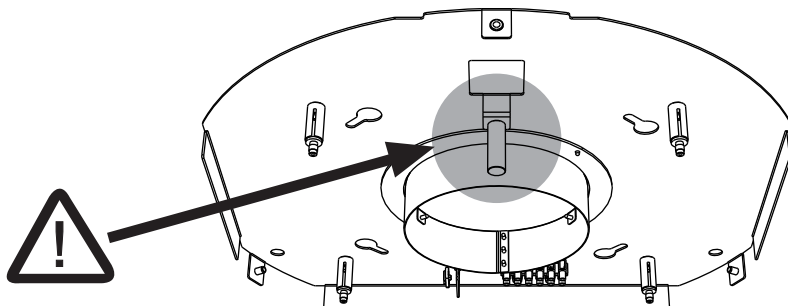
## Σειρά ενεργειών για την εγκατάσταση

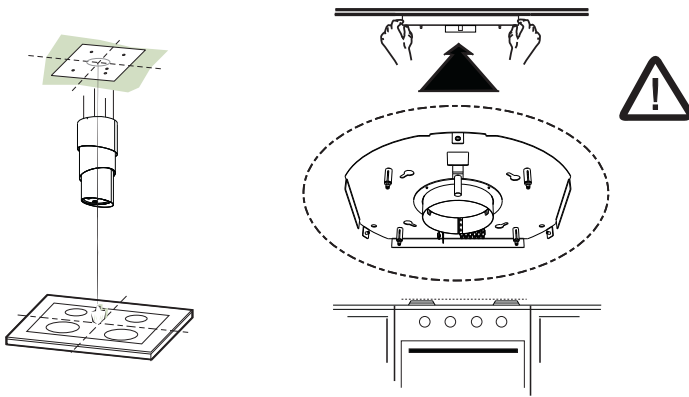
- Προετοιμασία για την εγκατάσταση
- Διάτρηση οροφής/ραφιού και στερέωση πλάκας στήριξης
- Συνδέσεις
- Τοποθέτηση σώματος απορροφητήρα
- Έλεγχος λειτουργίας
- Διάθεση συσκευασίας



## Προετοιμασία για την τοποθέτηση της πλάκας

- Πάρτε την πλάκα και τοποθετήστε την με τη σωστή κατεύθυνση, όπως δείχνει η εικόνα. Ο πείρος πρέπει να παραμείνει προς την πλευρά του εγκαταστάτη.





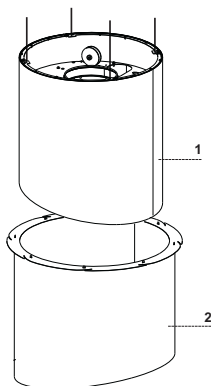
## Διάτρηση οροφής/ραφίου και στερέωση πλάκας

### ΔΙΑΤΡΗΣΗ ΟΡΟΦΗΣ/ΡΑΦΙΟΥ

- Με τη βοήθεια ενός νήματος στάθμης σημειώστε πάνω στην οροφή/ράφι στήριξης το κέντρο της επιφάνειας των εστιών.
- Ακουμπήστε στην οροφή/ράφι την πλάκα προσέχοντας να την τοποθετήσετε με τη σωστή κατεύθυνση, όπως δείχνει η εικόνα.
- Σημειώστε τα κέντρα των οπών της πλάκας.
- Τρυπήστε τα ακόλουθα σημεία:
  - Οροφή από συμπαγές σκυρόδεμα: ανάλογα με τα ούπα για σκυρόδεμα που χρησιμοποιούνται.
  - Οροφή από τούβλα με αεροθάλαμο, πάχους 20 mm: Ανοίξτε οπές Φ 10 mm (τοποθετήστε αμέσως τα ούπα του εξοπλισμού **11**).
  - Οροφή από ξύλινα δοκάρια: ανάλογα με τις ξυλόβιδες που χρησιμοποιούνται (δεν διατίθενται).
  - Ξύλινο ράφι, πάχους 15 mm: τρυπήστε με ένα τρυπάνι Φ 7 mm.
  - Διέλευση του ηλεκτρικού καλωδίου τροφοδοσίας: τρυπήστε με ένα τρυπάνι Φ 10 mm.
- Βιδώστε σταυρωτά δύο βίδες αφήνοντας 4-5 mm από την οροφή:
  - για συμπαγές σκυρόδεμα, ούπα για σκυρόδεμα, δεν παρέχονται.
  - για κατασκευή από τούβλα με αεροθάλαμο, πάχους 20 mm περίπου, βίδες **12h**, που παρέχονται.
  - για ξύλινα δοκάρια, ξυλόβιδες, δεν παρέχονται.
  - για ξύλινο ράφι, βίδες με ροδέλες και παξιμάδια δεν παρέχονται.

## ΣΤΕΡΕΩΣΗ (ΣΩΜΑ ΑΠΟΡΡΟΦΗΤΗΡΑ + ΕΝΔΙΑΜΕΣΟ ΣΩΜΑ ΑΠΟΡΡΟΦΗΤΗΡΑ)

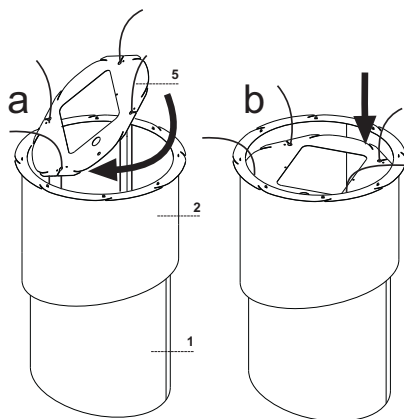
- Περάστε το σώμα απορροφητήρα **1** μέσα στο ενδιάμεσο σώμα απορροφητήρα **2**.



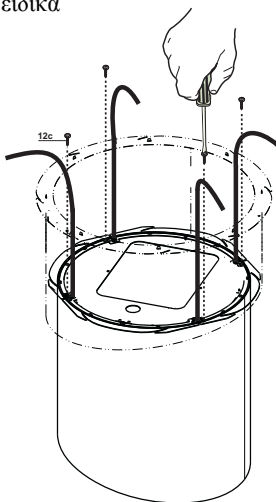
- Πάρτε το πάνω κάλυμμα του σώματος απορροφητήρα **5** και τοποθετήστε το όπως δείχνει η εικόνα.

### Προσοχή

Το πάνω κάλυμμα του σώματος απορροφητήρα **5** πρέπει να τοποθετηθεί βάζοντας μέσα πρώτα τη μία πλευρά και στη συνέχεια την άλλη εκμεταλλευόμενοι τις στρογγυλεμένες πλευρές και προσέχοντας ώστε να μην προκαλέσετε ζημιά στα καλώδια που πρέπει να περάσουν από τα ειδικά ανοίγματα.



- Κατεβάστε το κάλυμμα μέχρι να ακουμπήσει πάνω στο σώμα απορροφητήρα **1**, στη συνέχεια, βιδώστε το με τις 4 βίδες **12c** του εξοπλισμού.



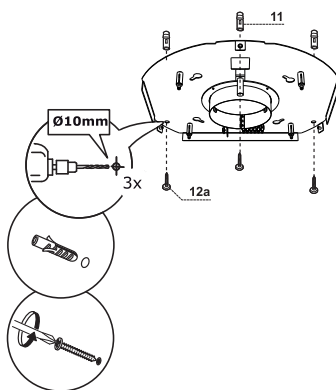
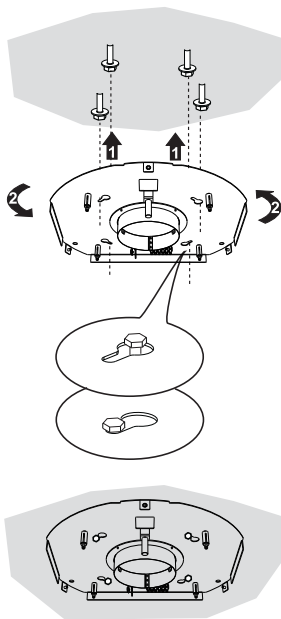
## ΣΤΕΡΕΩΣΗ ΠΛΑΚΑΣ

- Σηκώστε την πλάκα στερέωσης και προσαρμόστε τα ανοίγματα στις δύο βίδες που τοποθετήσατε προηγουμένως στην οροφή και γυρίστε έως το κέντρο του ανοίγματος ρύθμισης.

**Προσοχή:** Η φορά της πλάκας πρέπει να είναι εκείνη που δείχνει η εικόνα

- Σφίξτε τις δύο βίδες και βιδώστε τις άλλες δύο βίδες του εξοπλισμού. Πριν σφίξετε οριστικά τις βίδες, μπορείτε να κάνετε ρυθμίσεις γυρνώντας το εξάρτημα, έτσι ώστε οι βίδες να μην εξέλθουν από την έδρα του ανοίγματος ρύθμισης.
- Η στερέωση πρέπει να είναι ασφαλής σε σχέση τόσο με το βάρος του απορροφητήρα όσο και στις καταπονήσεις που οφείλονται στην ενδεχόμενη πλευρική μετατόπιση της συσκευής. Μετά την ολοκλήρωση της στερέωσης βεβαιωθείτε ότι η πλάκα είναι σταθερή.
- Σε περίπτωση που η οροφή δεν είναι αρκετά ανθεκτική στο σημείο ανάρτησης, ο εγκαταστάτης θα πρέπει να την ενισχύσει με κατάλληλα αγκυρωμένα ελάσματα σε ανθεκτικά δομικά σημεία.
- Ελέγξτε το αλφάδιασμα της πλάκας στην οροφή.

- Σε περίπτωση που θεωρηθεί αναγκαίο, μπορείτε να ασφαλίσετε τον απορροφητήρα στον τοίχο με άλλες 3 βίδες και ούπα.





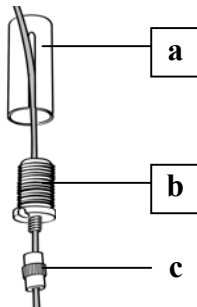
## ΣΥΝΔΕΣΗ ΚΑΛΩΔΙΩΝ ΑΠΟΡΡΟΦΗΤΗΡΑ-ΠΛΑΚΑΣ

**ΠΡΟΣΟΧΗ:** Πριν συνεχίσετε με την εγκατάσταση, πρέπει να μετακινήσετε τον απορροφητήρα σε ύψος τουλάχιστον 650 mm από την επιφάνεια των εστιών με ένα υποστήριγμα ή με τη βοήθεια δεύτερου ατόμου.

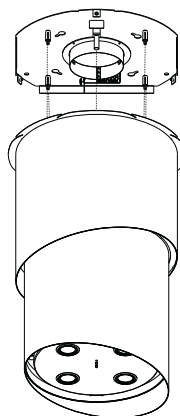
⚠ Το μετρώ αυτό είναι απαραίτητο, καθώς για να συνδεθούν τα συρματόσχοινα του απορροφητήρα στην πλάκα που είναι τοποθετημένη στην οροφή είναι αναγκαίο το βάρος του απορροφητήρα να μην πέφτει στο σκελετό.

Το σύστημα στερέωσης των 4 συρματόσχοινων περιλαμβάνει 3 μέρη:

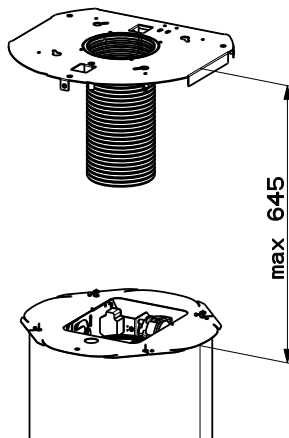
- Βιδωτός πείρος (a) τοποθετημένος στην πλάκα οροφής.
  - Βίδα ασφάλισης συρματόσχοινου (b) του εξοπλισμού.
  - Πόμολο ασφαλείας (c) του εξοπλισμού.
- Περάστε τα πόμολα ασφαλείας (c) στα αντίστοιχα συρματόσχοινα με το σπειρώμα προς τα πάνω.
  - Περάστε τις βίδες ασφάλισης συρματόσχοινου (b) στα αντίστοιχα συρματόσχοινα.



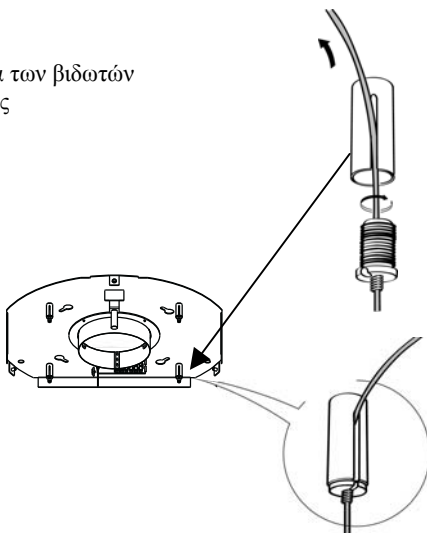
- Προσέξτε τη φορά της πλάκας που στερεώνεται στην οροφή (ο πείρος τερματισμού της πλάκας έχει άνοιγμα που προσαρμόζει στο σώμα του απορροφητήρα).



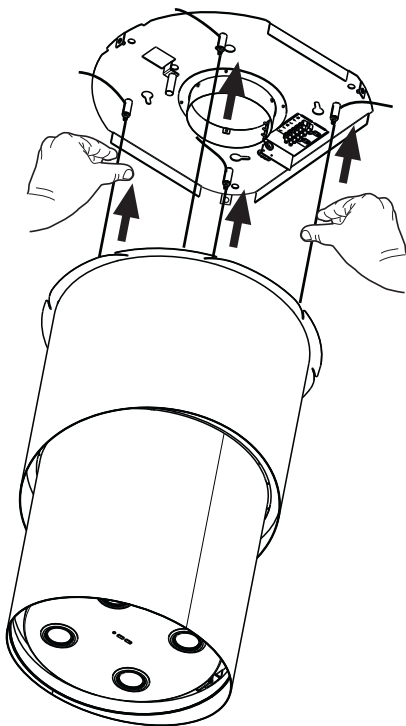
⚠ **Προσοχή:** Η μέγιστη επέκταση της κίνησης του απορροφητήρα δεν πρέπει να ξεπερνά τα 645mm.



- Περάστε τα συρματόσχοινα στα ανοίγματα των βιδωτών πείρων (a) και βιδώστε τις βίδες ασφάλισης συρματόσχοινων (b) στους πείρους.
- Όταν τελειώσετε, το αποτέλεσμα πρέπει να είναι όπως της εικόνας και με τα 4 συρματόσχοινα.



- Στο σημείο αυτό και τα 4 συρματόσχοινα είναι συνδεδεμένα στην πλάκα.



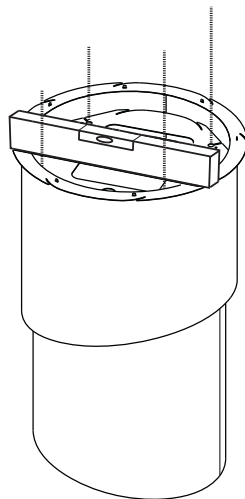
**Τεντώστε τα συρματόσχοινα πιέζοντας προς τα πάνω έτσι ώστε να κινηθούν μέσα στη βίδα ασφάλισης συρματόσχοινου και έξω από το άνοιγμα του βιδωτού πείρου.**

**Αυτό επιτρέπεται γιατί η βίδα ασφάλισης συρματόσχοινου διαθέτει ένα σύστημα που επιτρέπει την κίνηση του συρματόσχοινου στο εσωτερικό της προς μία μόνο κατεύθυνση, μπλοκάροντας την κίνηση προς την αντίθετη φορά.**

**Προσέξτε ώστε τα συρματόσχοινα να έχουν το ίδιο μήκος για να διευκολύνεται η διαδικασία του τελικού αλφαδιάσματος και το εμπρός αριστερό συρματόσχοινο δεν πρέπει να είναι πιο λασκαρισμένο από τα άλλα.**

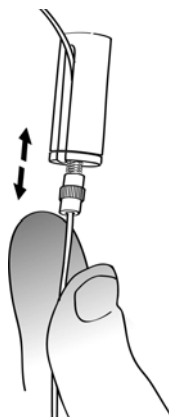
## ΑΛΦΑΔΙΑΣΜΑ ΤΟΥ ΑΠΟΡΡΟΦΗΤΗΡΑ

- Είναι απαραίτητο να αλφαδιάσετε το σώμα απορροφητήρα.
- Ο απορροφητήρας αλφαδιάζεται με τους πείρους ασφαλείας C.



- Ακουμπήστε ένα αλφάδι στον απορροφητήρα.

- Πιέστε προς τα πάνω τα πόμολα ασφαλείας για να ξεμπλοκάρει η κίνηση του συρματόσχοινο. Εισάγοντας ή αφαιρώντας το συρματόσχοινο από τη βίδα ασφάλισης συρματόσχοινο μπορείτε να κάνετε τις ρυθμίσεις που επιτρέπουν το αλφάδιασμα του κινητού σώματος του απορροφητήρα.
- Μετά το αλφάδιασμα του απορροφητήρα θα πρέπει να σφίξετε τα πόμολα ασφαλείας.

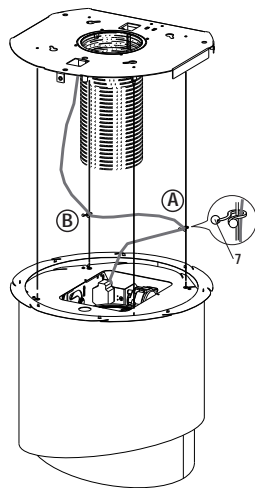


### Προσοχή:

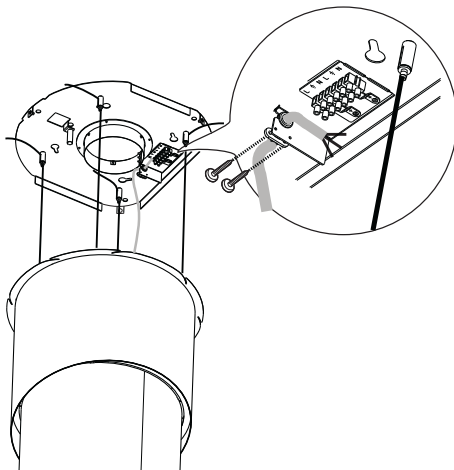
- Βεβαιωθείτε ότι και τα 4 συρματόσχοινα στήριξης είναι τεντωμένα.
- Βεβαιωθείτε ότι και τα 4 συρματόσχοινα στήριξης δεν έχουν υποστεί φθορά κατά την εγκατάσταση.
- Υπενθυμίζουμε ότι η ελάχιστη απόσταση μεταξύ απορροφητήρα και επιφάνειας των εστιών της κουζίνας πρέπει να είναι τουλάχιστον 650mm και η μέγιστη επέκταση της κίνησης δεν πρέπει να ξεπερνά τα 645mm.

## ΣΤΕΡΕΩΣΗ ΗΛΕΚΤΡΙΚΟΥ ΚΑΛΩΔΙΟΥ

- Πάρτε το ηλεκτρικό καλώδιο που προέρχεται από το κουτί συνδεσμολογίας και στερεώστε το με τα κλιπ ασφάλισης καλωδίου 7 πρώτα στο δεξιό πίσω καλώδιο (A) και στη συνέχεια στο αριστερό (B) όπως δείχνει η εικόνα.



- Πλησιάστε το ηλεκτρικό καλώδιο στην πλάκα οροφής.
- Προσαρμόστε το λαστιχένιο στυπιοθλίπτη, που είναι ήδη περασμένος στο ηλεκτρικό καλώδιο, στο άνοιγμα για να αποφύγετε μελλοντικές ζημιές.
- Στερεώστε το στο στήριγμα πάνω στην πλάκα οροφής χρησιμοποιώντας την ήδη τοποθετημένη προεξοχή.
- Συνδέστε τον απορροφητήρα στο δίκτυο παρεμβάλλοντας διπολικό διακόπτη με άνοιγμα επαφών τουλάχιστον 3 mm.



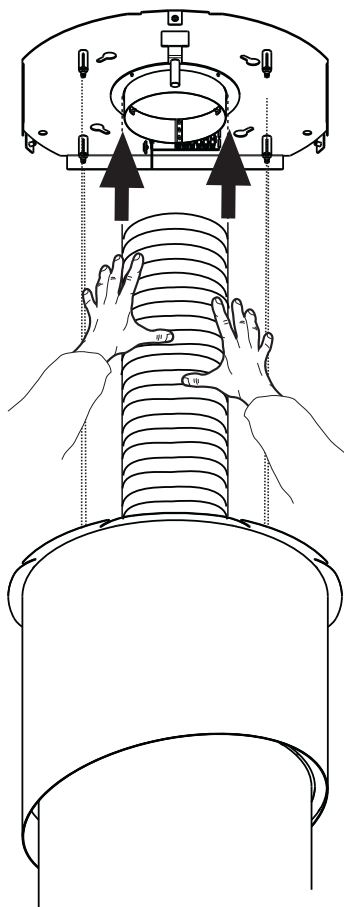
Βεβαιωθείτε ότι το καλώδιο έχει ασφαλίσει σωστά και ότι, όταν το κινητό σώμα ανυψώνεται προς την οροφή, το καλώδιο παραμένει πάνω από το σώμα και δεν προεξέχει γύρω από τον απορροφητήρα.

## Συνδέσεις

### ΕΞΟΔΟΣ ΑΕΡΑ ΜΟΝΤΕΛΟΥ ΑΠΑΓΩΓΗΣ

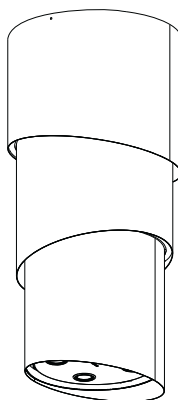
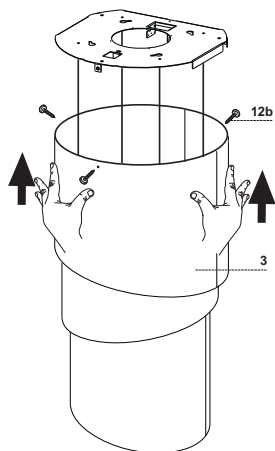
Για την εγκατάσταση του μοντέλου απαγωγής, συνδέστε τον απορροφητήρα στο σωλήνα εξόδου χρησιμοποιώντας έναν εκτατό σωλήνα Φ150.

- Στερεώστε το σωλήνα με κατάλληλα κολάρα τόσο στο σώμα απορροφητήρα όσο και στη φλάντζα πάνω στην πλάκα οροφής. Τα αναγκαία υλικά διατίθεται με τον εξοπλισμό.

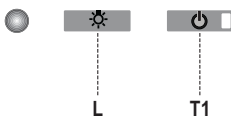


## ΣΤΕΡΕΩΣΗ (Ενδιάμεσο σώμα απορροφητήρα + σώμα απορροφητήρα οροφής)

- Κάνετε μερικές δοκιμές για να βεβαιωθείτε ότι ο απορροφητήρας λειτουργεί (Βλέπε παράγραφο Χρήση).
- Περάστε από κάτω το σώμα απορροφητήρα οροφής **3** μέσα στο κρεμασμένο στην οροφή σώμα απορροφητήρα προσέχοντας τη φορά που πρέπει να είναι ίδια με εκείνη στην εικόνα.
- Στερεώστε με 3 βίδες **12b** του εξοπλισμού το σώμα απορροφητήρα οροφής **3** στην πλάκα οροφής.



## Πίνακας χειριστηρίων



Πλή-κτρο	Λειτουργία	Οθόνη
L	Ανάβει/Σβήνει τα φώτα.	-
T1	<b>Απορροφητήρας κάτω</b> Αν το πιάσετε για 2 δευτερόλεπτα ανεβάζει στον απορροφητήρα. Αν το πιάσετε για λίγο Ανάβει/Σβήνει το μοτέρ.	Αναμμένη/Σβηστή
	<b>Απορροφητήρας πάνω</b> Πρώτη πίεση: Ο απορροφητήρας κατεβαίνει. Δεύτερη πίεση: Ο απορροφητήρας σταματά. Όταν ολοκληρωθεί η μετακίνηση, το μοτέρ ανάβει στη δεύτερη ταχύτητα.	Σβηστή/Σβηστή

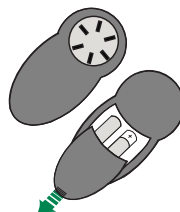
Το ηλεκτρονικό σύστημα αναγνωρίζει δύο τύπους βλαβών και φροντίζει να δώσει την αντίστοιχη σήμανση

Led T1	
Αργή αναλαμπή	<b>Υπέρβαση του ορίου απορρόφησης ρεύματος:</b> Σε περίπτωση που παρουσιαστεί υπερφότωση, η βλάβη επισημαίνεται με την αναλαμπή ανά 2 δευτερόλεπτα του Led T1 στον πίνακα χειριστηρίων. Βεβαιωθείτε ότι δεν υπάρχουν εμπόδια κατά την κίνηση του απορροφητήρα. Αυτή η σήμανση παραμένει ενεργοποιημένη μέχρι την επόμενη εντολή ανοίγματος/κλεισίματος του απορροφητήρα.
Γρήγορη αναλαμπή	<b>Επέμβαση του μικροδιακόπτη ασφαλείας κατά το άνοιγμα:</b> Σε περίπτωση επέμβασης του μικροδιακόπτη ασφαλείας, η ανωμαλία επισημαίνεται από το Led T1 που αναβοσβήνει γρήγορα (κάθε 250ms) υποδεικνύοντας ότι ο απορροφητήρας έχει ξεπεράσει το στοπ τερματισμού..... <b>Απευθυνθείτε στο Σέρβις!</b> Κατά τη διάρκεια αυτής της βλάβης μπορείτε να χρησιμοποιήσετε τον απορροφητήρα (φώτα και μοτέρ) και σε περίπτωση που το μοτέρ είναι αναμμένο το Led T1 θα συνεχίσει να αναβοσβήνει επισημαίνοντας ότι η βλάβη υπάρχει ακόμα.

## ΤΗΛΕΧΕΙΡΙΣΤΗΡΙΟ

Η συσκευή ελέγχεται και με τηλεχειριστήριο που δέχεται αλκαλικές μπαταρίες ψευδαργύρου-άνθρακα 1,5 V στάνταρ τύπου LR03-AAA (δεν περιλαμβάνεται).

- Μη βάζετε το τηλεχειριστήριο κοντά σε πηγές θερμότητας.
- Μην πετάτε τις μπαταρίες στο περιβάλλον, αλλά μόνο στους ειδικούς κάδους.



## Πίνακας χειριστηρίων



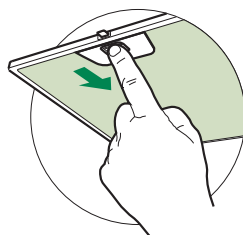
Πλήκτρο	Λειτουργία	Οθόνη
	Ανάβει/Σβήνει το μοτέρ.  <b>Απορροφητήρας κλειστός:</b> - Πιέζοντας για λίγο το πλήκτρο ο απορροφητήρας αρχίζει και κατεβαίνει - Στην επόμενη πίεση σταματά. Όταν ολοκληρωθεί η μετακίνηση, το μοτέρ ανάβει στη 2η ταχύτητα.  <b>Απορροφητήρας ανοιχτός:</b> - Αν το πιάσετε για 2 δευτερόλεπτα ενεργοποιείται η μετακίνηση για την άνοδο και σταματά με το τερματικό διαδρομής. - Πιέζοντας (για λίγο) σταματά η μετακίνηση (πριν από το τερματικό διαδρομής). - Πιέζοντας ακόμα για λίγο, ανάβει/σβήνει το μοτέρ. - Αν πατηθεί για 2 δευτερόλεπτα ενεργοποιεί τη μετακίνηση για την άνοδο. - Αν το μοτέρ είναι αναμμένο, πρώτα σταματά το μοτέρ και στη συνέχεια αρχίζει τη μετακίνηση.	-  -  -
	Μειώνει την ταχύτητα του μοτέρ.	-
	Αυξάνει την ταχύτητα του μοτέρ.	-
	<b>ΕΝΤΟΝΗ</b> - Ενεργοποιείται μόνο με τον απορροφητήρα κατεβασμένο και όταν δεν έχει ενεργοποιεί το <b>delay</b> ή το <b>24h</b> . - Ενεργοποιεί την έντονη ταχύτητα από όλες τις ταχύτητες. Για την απενεργοποίηση αρκεί να πιάσετε πάλι το πλήκτρο ή να σβήσετε το μοτέρ. - Η έντονη ταχύτητα ενεργοποιείται με χρονοδιακόπτη 10 λεπτών. Με την πάροδο των 10 λεπτών το σύστημα επανέρχεται αυτόματα στην προηγούμενη ταχύτητα.	Το Led που υπάρχει στο πλήκτρο μοτέρ (στα χειριστήρια απορροφητήρα), αναβοσβήνει 1 φορά το δευτερόλεπτο.
	<b>Αν το πιάσετε για λίγο λειτουργία Delay:</b> Δεν επιλέγεται με ενεργοποιημένη τη λειτουργία Έντονη ή 24h. Ενεργοποιεί και απενεργοποιεί τη λειτουργία ολικού σβησίματος του απορροφητήρα (μοτέρ+φωτισμός) μετά από 30 λεπτά. Για να απενεργοποιήσετε τη λειτουργία Delay πιάστε το ίδιο πλήκτρο ή σβήστε το μοτέρ.  <b>Αν το πιάσετε για 2 δευτ. λειτουργία 24H:</b> Δεν επιλέγεται με ενεργοποιημένη τη λειτουργία Έντονη ή Delay. Ενεργοποιεί ή απενεργοποιεί τη λειτουργία 24 για 10 λεπτά κάθε ώρα, για 24 ώρες. Στο τέλος απενεργοποιείται.	Το Led που υπάρχει στο πλήκτρο μοτέρ (στα χειριστήρια απορροφητήρα), αναβοσβήνει κάθε 0,5 δευτερόλεπτο.  Το Led που υπάρχει στο πλήκτρο μοτέρ (στα χειριστήρια απορροφητήρα), αναβοσβήνει κάθε 2 δευτερόλεπτα.
	Ανάβει/Σβήνει τα φώτα του απορροφητήρα.	-



## Μεταλλικό φίλτρο για λίπη

---

Μπορεί να πλυθεί στο πλυντήριο πιάτων και απαιτεί καθαρισμό τουλάχιστον κάθε 2 μήνες χρήσης ή συχνότερα σε περίπτωση ιδιαίτερα συχνής χρήσης.



### ΚΑΘΑΡΙΣΜΟΣ ΜΕΤΑΛΛΙΚΟΥ ΦΙΛΤΡΟΥ ΓΙΑ ΛΙΠΗ

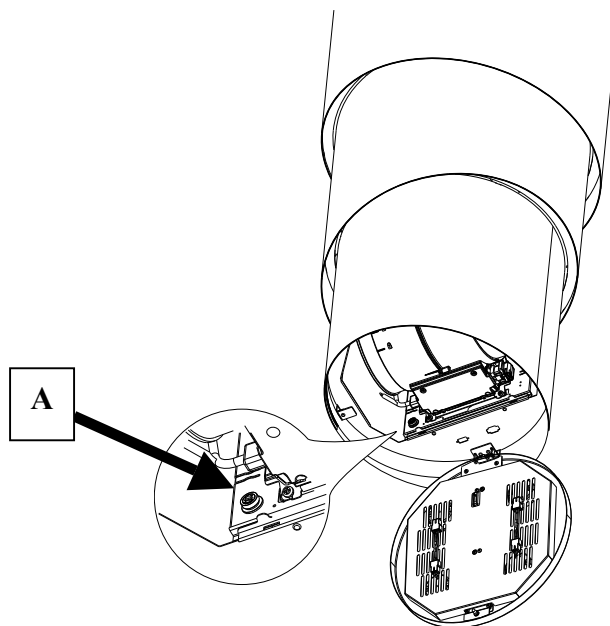
- Ανοίξτε το φωτιστικό τραβώντας το στην ειδική εγκοπή.
- Βγάλτε το φίλτρο πιέζοντας προς το πίσω μέρος της συσκευής και τραβώντας ταυτόχρονα προς τα κάτω.
- Πλύνετε το φίλτρο χωρίς να το στραβώσετε και αφήστε το να στεγνώσει πριν το τοποθετήσετε στη θέση του.
- Τοποθετήστε το έτσι ώστε η λαβή να παραμείνει προς το εξωτερικό μέρος.
- Κλείστε το φωτιστικό.

## Φωτισμός

---

**Προσοχή:** Αυτή η συσκευή διαθέτει λευκό φως LED κλάσης 1M σύμφωνα με το πρότυπο EN 60825-1: 1994 + A1:2002 + A2:2001. Μέγιστη εκπεμπόμενη οπτική ισχύς @439nm: 7μW. Μην κοιτάζετε απευθείας με οπτικά όργανα (κιάλια, μεγεθυντικός φακός...).

- Για την αντικατάσταση απευθυνθείτε στο Σέρβις. ("Για την αγορά απευθυνθείτε στο Σέρβις").



### **Διαδικασία επέμβασης σε περίπτωση ανωμαλίας στην κίνηση**

10. Βεβαιωθείτε ότι η ασφάλεια είναι σωστά τοποθετημένη και δεν έχει καεί. Για ενδεχόμενη αντικατάσταση, ανοίξτε το φωτιστικό, αφαιρέστε το φίλτρο για λίπη και ξεβιδώστε την ασφαλειοθήκη που είναι ορατή στ' αριστερά της μονάδας μοτέρ και αντικαταστήστε την με μια ίδιων χαρακτηριστικών (α-ναφ. Α).
11. Βεβαιωθείτε ότι το σώμα του απορροφητήρα είναι αλφαδιασμένο (συνιστάται η χρήση ενός αλφαδιού).
12. Βεβαιωθείτε ότι και τα τέσσερα συρματόσχοινα είναι τεντωμένα με τον ίδιο τρόπο.

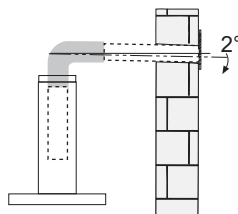
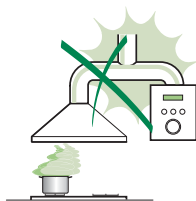
Εάν οι προηγούμενες ενέργειες δεν λύσουν το πρόβλημα, απευθυνθείτε στο Σέρβις.

## СОВЕТЫ И РЕКОМЕНДАЦИИ

- △ В Инструкциях по эксплуатации описаны различные модели прибора. Поэтому вы можете встретить описание некоторых характеристик, не относящихся к приобретенному вами прибору.

### УСТАНОВКА

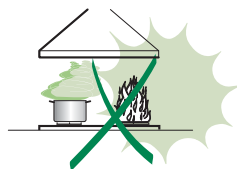
- Изготовитель не несет ответственность за убытки, возникающие в результате неправильной установки или эксплуатации прибора.
- Безопасное расстояние между варочной панелью и всасывающей вытяжкой должно быть не менее 650 мм (некоторые модели можно устанавливать ниже; см. раздел, посвященный рабочим размерам и операциям по установке прибора).
- Проверьте соответствие напряжения сети указанному на табличке, закрепленной внутри вытяжки.
- Для приборов класса I проверьте, чтобы в электрической сети вашего дома была предусмотрена соответствующая система заземления. Соедините вытяжку с дымоходом с помощью трубы минимального диаметра 120 мм. Труба для отведения дыма должна быть как можно короче.
- Не соединяйте всасывающую вытяжку с дымоходами, по которым выводится дым, образующийся в процессе горения (например, отопительные котлы, камины и проч.).
- Если вытяжной аппарат используется в сочетании с приборами, работающими не от электрического тока (например, газовые приборы), помещение должно хорошо проветриваться во избежание обратного потока отходящих газов. Для притока в помещение свежего воздуха на кухне должно быть предусмотрено выходящее на улицу окно. При пользовании кухонной вытяжкой в сочетании с приборами, работающими не от электрического тока, отрицательное давление в помещении не должно превышать 0,04 мбар с тем, чтобы дым не всасывался вытяжкой обратно в помещение.
- Во избежание опасности в случае повреждения кабеля питания, он должен быть заменен изготовителем или специалистами отдела технического обслуживания.



- Если в инструкциях по установке газовой плиты сказано, что расстояние до вытяжки должно быть больше указанного выше, следует придерживаться предписанных размеров. Соблюдайте все нормативные требования по отведению отработанного воздуха.
- Используйте только винты и метизы, пригодные для установки вытяжки. **Предупреждение:** использование винтов и зажимных устройств, не соответствующих указаниям данных инструкций, может привести к возникновению опасных ситуаций и к электрическим ударам.
- Соедините вытяжку с сетью питания с помощью двухполюсного выключателя с минимальным разведением контактов 3 мм.

## ЭКСПЛУАТАЦИЯ

- Всасывающая вытяжка предназначена только для применения в быту для удаления из кухни запахов от готовки.
- Никогда не пользуйтесь вытяжкой в иных целях, отличных от тех, для которых она предназначена.
- Никогда не оставляйте высокое пламя под вытяжкой, находящейся в работе.
- Регулируйте силу пламени таким образом, чтобы оно оставалось под дном емкости для готовки и не вырывалось за его пределы.
- При готовке во фритюрнице постоянно следите за ее работой: сильно нагретое масло может воспламениться.
- Не готовьте блюда фламбе под вытяжкой: опасность возникновения пожара.
- Прибором могут пользоваться дети старше 8 лет и лица с ограниченными психическими, физическими и сенсорными способностями, а также не имеющие достаточного опыта и знаний, но только под присмотром ответственных лиц и при условии, что они обучены безопасной эксплуатации прибора и знают о связанных с его неправильным использованием опасностях. Следите, чтобы дети не играли с прибором. Очистку и уход за прибором должен обеспечивать пользователь, такие действия могут выполнять и дети, но только под надзором взрослых.




- “ **ВНИМАНИЕ:** доступные части вытяжки могут сильно нагреваться во время работы газовых приборов.

## УХОД

- Перед выполнением любой операции по очистке и уходу выключите или отсоедините прибор от электрической сети.
- Очищайте и/или заменяйте фильтры по истечении указанного периода времени (опасность возникновения пожара).
- Жировые фильтры необходимо очищать раз в 2 месяца работы или чаще в случае очень интенсивного использования прибора; жировые фильтры можно мыть в посудомоечной машине.
- Фильтр на активированном угле нельзя мыть и восстанавливать, его следует менять примерно раз в 4 месяца работы или чаще в случае очень интенсивного использования прибора.
- "Опасность возникновения пожара, если очистка прибора не выполняется в соответствии с инструкциями".
- Очищайте вытяжку влажной тряпкой, смоченной в нейтральном жидком моющем веществе.

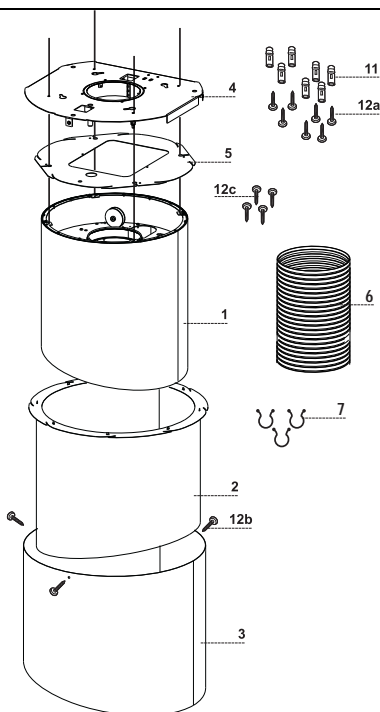


Символ  на изделии или на упаковке указывает, что прибор нельзя выбрасывать, как обычный бытовой мусор. Прибор, подлежащий уничтожению, необходимо сдать в специальный сборный пункт для повторного использования электрических и электронных компонентов. Пользователь, правильно сдающий прибор на переработку, помогает предотвратить потенциальные негативные последствия для окружающей среды и для здоровья людей, возникающие в случае неправильного его уничтожения. За более подробной информацией о вторичном использовании прибора обращайтесь в городской совет, в местную службу по переработке отходов или в магазин, где прибор был приобретен.

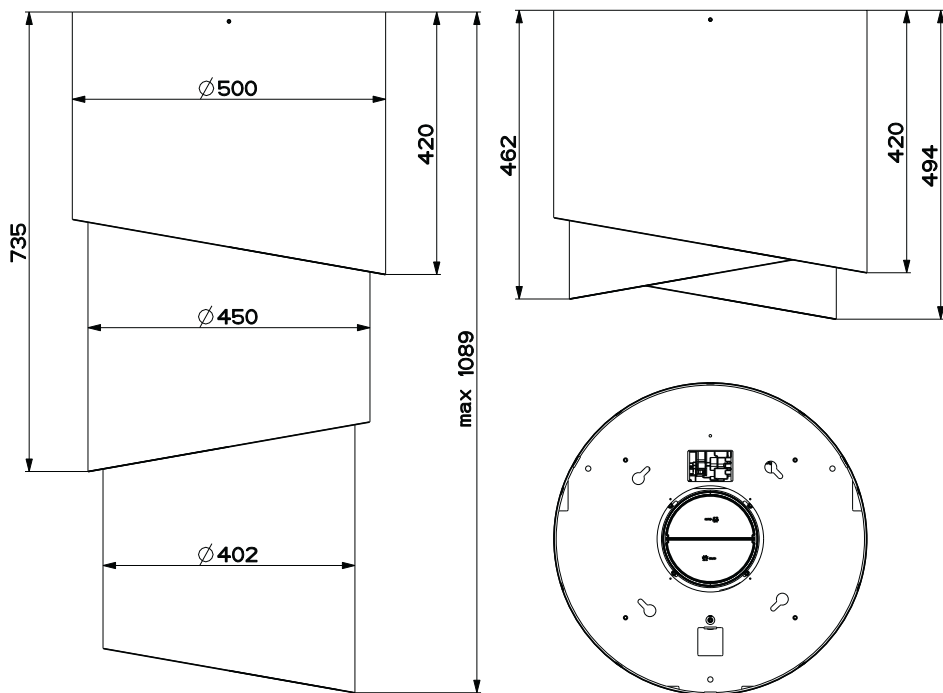
# ХАРАКТЕРИСТИКИ

## Части

Об.	Кол.	Части изделия
1	1	Корпус вытяжки в комплекте с устройствами управления, освещением, фильтрами, двигателем
2	1	Средняя часть корпуса вытяжки
3	1	Потолочная часть корпуса вытяжки
4	1	Опорная плита вытяжки + фланец
5	1	Верхняя панель корпуса вытяжки
6	1	Трубка
7	3	Фиксаторы кабеля питания
Об.	Кол.	Установочные компоненты
11	7	Дюбели $\varnothing$ 10
12a	7	Винты 4,2 x 44,4
12b	3	Рукоятки крепления
12c	4	Винты 3,5 x 9,5
Кол.	Документация	
1	Инструкции по эксплуатации	



## Габариты



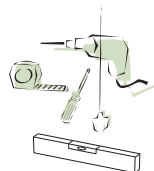
# УСТАНОВКА

Вытяжка может быть закреплена к потолку/полке на расстоянии не менее 650 мм от независимой варочной панели:

- **Всасывающая вытяжка:** выведение воздуха наружу.

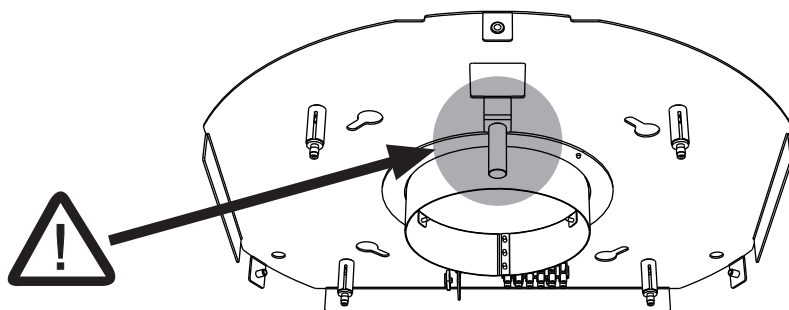
## Последовательность операций по установке

- Подготовка к установке
- Отверстие в потолке/полке и крепление опорной плиты
- Соединения
- Установка корпуса вытяжки
- Функциональная проверка
- Уничтожение упаковочных материалов

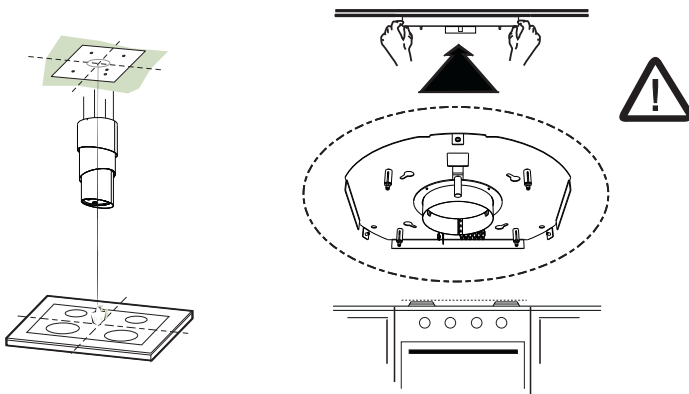


## Подготовка для установки плиты

- Возьмите плиту и разместите ее, как показано на рисунке. Стопор должен находиться в положении перед монтажным.







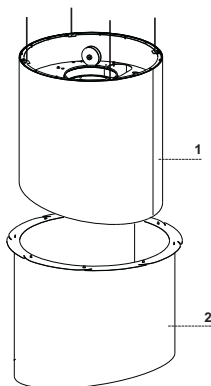
## Отверстия в потолке/полке и крепление плиты

### ПОДГОТОВКА ОТВЕРСТИЙ В ПОТОЛКЕ/ПОЛКЕ

- С помощью отвеса определите на потолке/подвесной полке центр варочной панели.
- Приложите к потолку/полке плиту, как показано на рисунке.
- Отметьте центры отверстий плиты.
- Просверлите отверстия.
- В потолке из компактного бетона: в соответствии с используемыми для бетона дюбелями.
- В потолке из пустотелого кирпича толщиной 20 мм: отверстия  $\varnothing$  10 мм (сразу же вставьте прилагаемые дюбели **11**).
- В потолке из деревянных балочных перекрытий: в соответствии с используемыми шурупами для дерева (не входят в комплект поставки).
- В деревянной полке толщиной 15 мм: отверстие  $\varnothing$  7 мм
- Проходное отверстие для электрического кабеля питания: отверстие  $\varnothing$  10 мм
- Ввинтите крест-накрест два винта, оставив до потолка 4-5 мм:
- в потолок из компактного бетона - дюбели для бетона (не входят в комплект поставки)
- в потолок из пустотелого кирпича толщиной около 20 мм - прилагаемые винты **12h**
- в потолок из деревянных балочных перекрытий - шурупы для дерева (не входят в комплект поставки)
- в деревянную полку - шурупы с шайбами и гайками (не входят в комплект поставки).

## КРЕПЛЕНИЕ (КОРПУС ВЫТЯЖКИ + СРЕДНЯЯ ЧАСТЬ КОРПУСА ВЫТЯЖКИ)

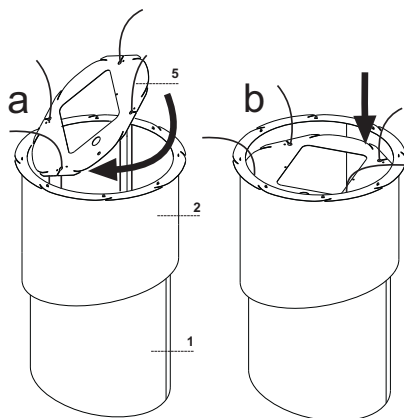
- Вставьте корпус вытяжки **1** в среднюю часть корпуса **2**.



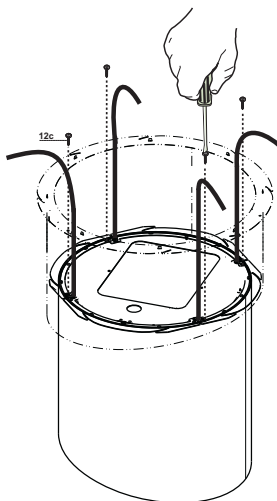
- Установите верхнюю панель корпуса вытяжки **5**, как показано на рисунке.

### Внимание

Для установки верхней панели корпуса вытяжки **5** сначала следует приложить одну сторону и потом другую сторону, пользуясь скошенными краями панели и следя за тем, чтобы не повредить провода, которые должны проходить через соответствующие отверстия.



- Прижмите панель к корпусу вытяжки **1** и привинтите ее 4 винтами **12с**, прилагаемыми в комплекте.



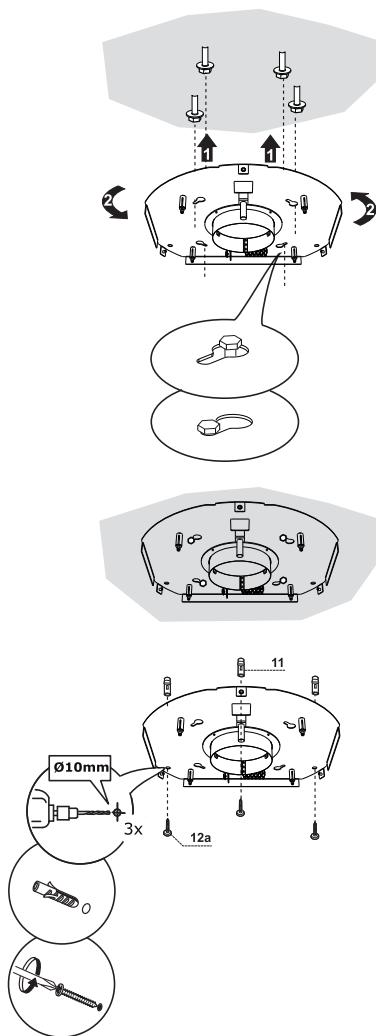
## КРЕПЛЕНИЕ ПЛИТЫ

- Приподнимите установочную плиту и вставьте в отверстия два винта, предварительно подготовленные в потолке; поверните плиту до центра регулировочного отверстия.

**Внимание:** направление установки плиты должно соответствовать показанному на рисунке.

- Затяните оба винта и привинтите еще два винта, прилагаемые в комплекте; прежде чем затянуть винты окончательно, поворотом плиты можно отрегулировать ее положение; следите, чтобы винты при этом не вышли из регулировочного отверстия.
- Крепление плиты должно быть надежным относительно веса вытяжки и нагрузок, оказываемых случайными боковыми толчками на установленный прибор. После завершения операций проверьте устойчивое положение плиты.
- Во всех случаях, когда потолок недостаточно прочен в точке крепления прибора, монтажник должен упрочить его специальными пластинами и опорными плитами, закрепленными к устойчивым структурным элементам.
- Проверьте уровень крепления плиты к потолку.

- В случае необходимости вытяжку можно закрепить к стене дополнительными 3 винтами с дюбелями.



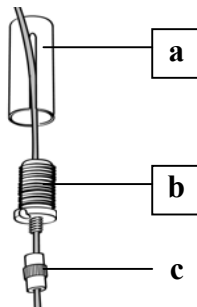
## СОЕДИНЕНИЕ ПРОВОДОВ ВЫТЯЖКА - ПЛИТА

**Прим.** прежде чем продолжить установку, поднимите вытяжку на высоту на менее 650 мм над варочной панелью, установив опору, или с помощью второго человека.

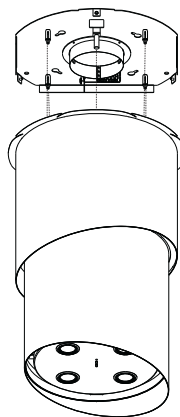
**⚠** Это необходимо, так как во время соединения проводов вытяжки с закрепленной к потолку плитой вес прибора **не должен** тяготять структуру.

Система крепления 4 проводов состоит из 3 частей.

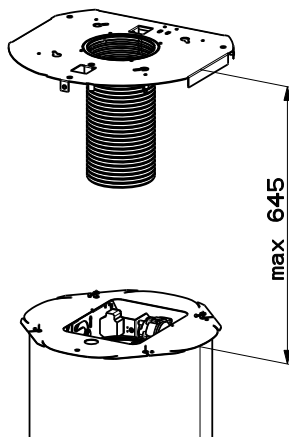
- Защелка с резьбой (а), установленная на потолочной плите.
  - Кабельный фиксатор (b), прилагаемый в комплекте.
  - Предохранительная рукоятка (с), прилагаемая в комплекте.
- Поставьте предохранительные рукоятки (с) на соответствующие провода; при этом резьба должна быть обращена вверх.
- Поставьте кабельные фиксаторы (b) на соответствующие кабели.



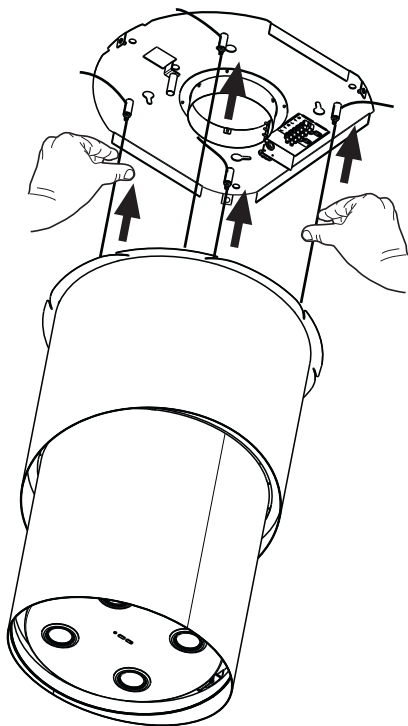
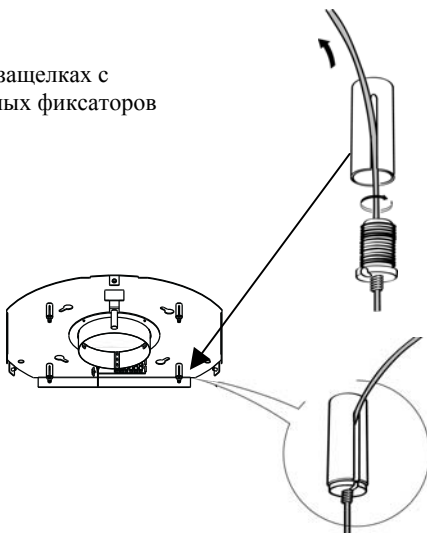
- Следите за положением установки потолочной плиты (в стопорной защелке плиты имеется отверстие, соответствующее отверстию в корпусе вытяжки).



**⚠** **Внимание:**  
максимально  
е  
расширение  
вытяжки не  
должно  
превышать  
645 мм.



- Пропустите провода через отверстия в защелках с резьбой (а) и привинтите винты кабельных фиксаторов (b) к защелкам.
- По завершении операции все 4 провода должны быть закреплены, как показано на рисунке.



- Таким образом все 4 провода соединены с плитой.

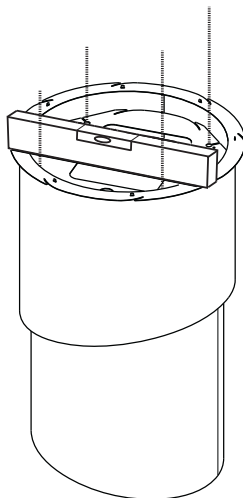
**Подайте на провода напряжение, прижав их кверху, чтобы они проходили внутри кабельных фиксаторов и снаружи отверстия защелки с резьбой.**

**В конструкции кабельных фиксаторов предусмотрена система, позволяющая кабелю скользить внутри фиксаторов только в одном направлении.**

**Следите, чтобы все провода были одинаковой длины (это необходимо для заключительного выравнивания вытяжки), и чтобы левый передний трос не был натянут меньше, чем другие.**

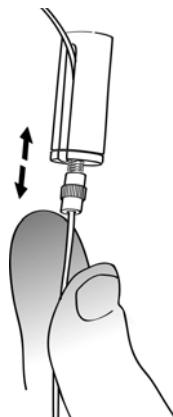
## ВЫРАВНИВАНИЕ ПОЛОЖЕНИЯ ВЫТЯЖКИ

- Положение корпуса вытяжки необходимо выставить по уровню.
- Для этой операции служат предохранительные защелки С.



- Положите на вытяжку уровень.

- При нажатии вверх на предохранительные рукоятки становится возможным перемещение провода. Вставив или вынув провод из кабельного фиксатора, можно отрегулировать положение подвижного корпуса вытяжки по уровню.
- Выровняв положение вытяжки, вновь затяните предохранительные рукоятки.

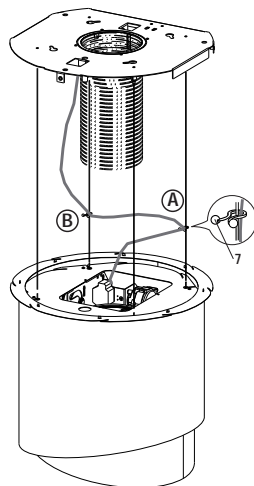


### Внимание:

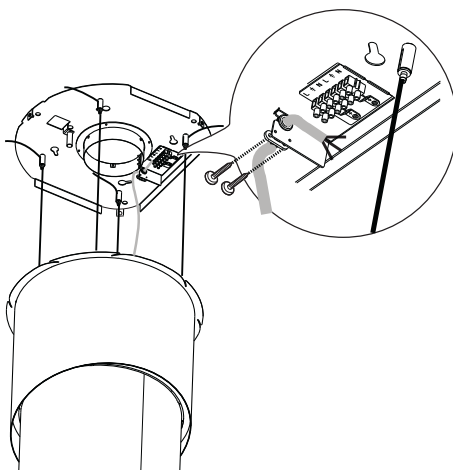
- проверьте, чтобы все 4 подвесных троса были натянуты
- проверьте, чтобы все 4 подвесных троса не были повреждены во время установки
- не забывайте, что минимальное расстояние между вытяжкой и варочной панелью кухни должно быть не менее 650 мм, а максимальное расширение корпуса не должно превышать 645 мм.

## КРЕПЛЕНИЕ КАБЕЛЯ ПИТАНИЯ

- Возьмите кабель питания из коробки электрического подключения и скрепите его кабельными зажимами 7 сначала с задним правым проводом (А) и затем с левым (В), как показано на рисунке.



- Подведите кабель питания к потолочной плите.
- Разместите уже поставленный на кабель питания резиновый уплотнитель в отверстии во избежания его повреждения в будущем.
- Прикрепите его к потолочной плите с помощью уже установленного язычка.
- Подключите вытяжку к сети через двухполюсный выключатель с минимальным разведением контактов 3 мм.



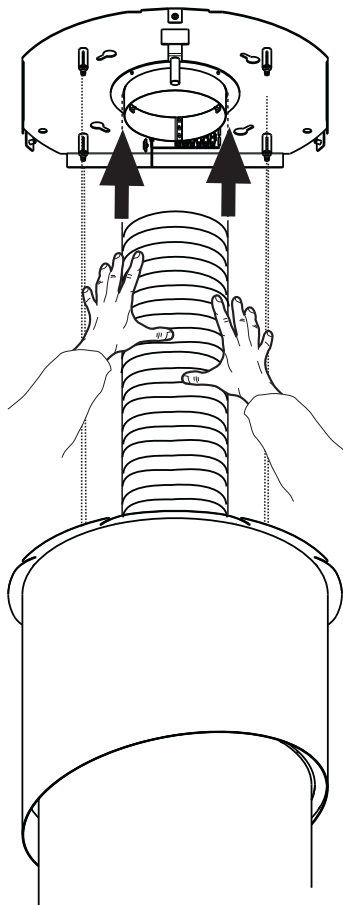
Проверьте крепление кабеля питания; при движении к потолку подвижной части корпуса вытяжки кабель должен оказываться над ней и не должен выходить за габариты прибора.

## Соединения

### ВЫПУСК ВОЗДУХА ИЗ ВСАСЫВАЮЩЕЙ ВЫТЯЖКИ

Для установки всасывающей вытяжки соедините ее с выпускной трубой раздвижной трубкой  $\varnothing 150$ .

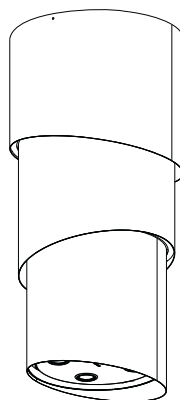
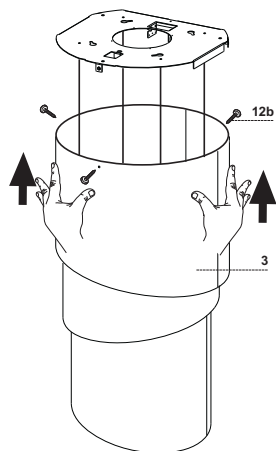
- Прикрепите трубку специальными трубными зажимами к корпусу вытяжки и к фланцу на потолочной плите. Необходимый для этого материал прилагается в комплекте.



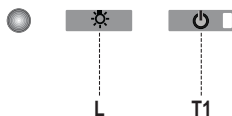


## КРЕПЛЕНИЕ (средняя часть корпуса вытяжки + потолочная часть корпуса вытяжка)

- Проверьте работу вытяжки (см. раздел Эксплуатация).
- В уже подвешенную часть вытяжки вставьте снизу потолочную часть корпуса вытяжки **3**, следите за ее положением по рисунку.
- С помощью **3** прилагаемых винтов **12b** прикрепите потолочную часть вытяжки **3** к потолочной плите.



## Панель управления



Кнопка	Функция	Дисплей
L	Включает и выключает освещение.	-
T1	<b>Вытяжка в нижнем положении</b> При нажатии в течение 2 секунд поднимает вытяжку. При кратком нажатии включает и выключает двигатель.	Включено / выключено
	<b>Вытяжка в верхнем положении</b> Первое нажатие: Вытяжка опускается. Второе нажатие: Вытяжка останавливается. По завершении движения вытяжки двигатель включается на второй скорости.	Выключено / выключено

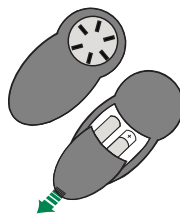
### Электроника распознает два типа неисправностей и подает соответствующие сигналы

Индикатор T1	
Медленное мигание	<b>Превышение порога потребления тока</b> При выявлении условий перегрузки система сигнализирует о неисправности миганием индикатора T1 на кнопочной панели каждые 2 секунды. Проверьте, чтобы движению вытяжки ничто не мешало. Такой сигнал сохраняется до новой команды раскрытия/закрытия вытяжки.
	<b>Срабатывание защитного микровыключателя на этапе раскрытия</b> При срабатывании защитного микровыключателя о неисправности сигнализирует быстро мигающий T1 индикатор (каждые 250 мсек), указывающий на то, что вытяжка зашла за ограничительный предел..... <b>Обратитесь в техническое обслуживание!</b> Во время этой неисправности можно все равно пользоваться функциями вытяжки (освещение и двигатель), и если двигатель включен, индикатор T1 будет продолжать мигать, указывая на то, что неисправность еще присутствует.
Быстрое мигание	

## ПУЛЬТ ДИСТАНЦИОННОГО УПРАВЛЕНИЯ

Данным прибором можно управлять пультом дистанционного управления на щелочных батарейках с угольным элементом 1,5 В стандартного типа LR03-AAA (не включено в комплект поставки).

- Не оставлять пульт вблизи от источников тепла.
- Не выбрасывать батарейки вместе с обычным мусором, складывать их в специальные сборные емкости.



### Панель управления

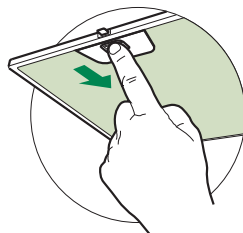


Кнопка	Функция	Дисплей
	Включает / выключает двигатель.	-
	<b>Вытяжка закрыта:</b> - кратким нажатием на кнопку вытяжка начинает опускаться - при следующем нажатии на кнопку вытяжка останавливается. По завершении движения вытяжки двигатель включается на 2-й скорости.	-
	<b>Вытяжка открыта:</b> - нажатие кнопки в течение 2 секунд включает подъем вытяжки, которая останавливается ограничителем - кратким нажатием кнопки движение вытяжки прекращается (до ограничителя) - еще одним кратким нажатием кнопки включается / выключается двигатель - нажатие кнопки в течение 2 секунд включает подъем вытяжки - если двигатель включен, сначала останавливает его, а потом включает движение вытяжки	-
	Понижает скорость работы двигателя.	-
	Повышает скорость работы двигателя.	-
	<b>ИНТЕНСИВНАЯ СКОРОСТЬ</b> - Такая скорость может быть включена, только когда вытяжка в нижнем положении и не включены функции <b>задержка</b> или <b>24h</b> . - Включает интенсивную скорость при любой скорости работы. - Чтобы отключить интенсивную скорость, достаточно еще раз нажать эту же кнопку или выключить двигатель. - Интенсивная скорость ограничена таймером на 10 минут. По истечении 10 минут система автоматически возвращается на заданную ранее скорость.	Индикатор на кнопке управления двигателем (в числе устройств управления вытяжкой) мигает 1 раз в секунду.
	<b>Краткое нажатие кнопки активирует функцию задержки:</b> Эта функция может быть включена, только когда не активированы функции <b>интенсивная скорость</b> или <b>24h</b> . Включает и отключает режим полного останова вытяжки (двигатель и освещение) через 30 минут. Кнопка отключит функцию задержки, можно еще раз нажать эту же кнопку или выключить двигатель.	Индикатор на кнопке управления двигателем (в числе устройств управления вытяжкой) мигает каждые 0,5 секунды.
	<b>При нажатии кнопки в течение 2 сек функция 24h:</b> может быть включена, только когда не активированы функции <b>интенсивная скорость</b> или <b>задержка</b> . Кнопка включает и выключает функцию 24 ч с периодичностью 10 минут каждый час в течение 24 часов. По истечении этого времени функция отключается.	Индикатор на кнопке управления двигателем (в числе устройств управления вытяжкой) мигает каждые 2 секунды.
	Включает / выключает освещение вытяжки.	-

## Металлический жировой фильтр

---

Фильтр можно мыть в посудомоечной машине. Его следует мыть примерно раз в 2 месяца работы или чаще в случае особенно интенсивного использования.



### ОЧИСТКА МЕТАЛЛИЧЕСКОГО ЖИРОВОГО ФИЛЬТРА

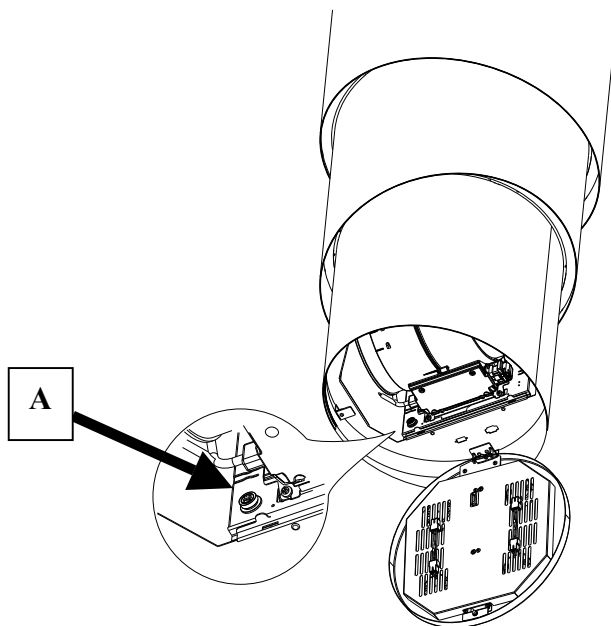
- Потяните за специальную выемку, чтобы открыть блок освещения.
- По очереди выньте фильтры. Для этого прижмите их к задней стенке блока и одновременно потяните вниз.
- Осторожно вымойте фильтры, следя за тем, чтобы они не сгибались, и перед установкой дайте им просохнуть.
- Поставьте фильтры на место так, чтобы ручка находилась с видимой наружной стороны.
- Закройте блок освещения.

## Освещение

---

**Внимание:** Прибор оборудован светодиодом белого цвета класса 1M согласно стандарту EN 60825-1: 1994 + A1:2002 + A2:2001; максимальная мощность оптического излучения @439nm: 7 микроватт. Не рекомендуется смотреть на светодиод через оптические приборы (бинокль, увеличительное стекло и проч.).

- Для замены светодиода обращайтесь в обслуживающий центр. ("Для приобретения обращайтесь в обслуживающий центр").



### **Операции в случае неисправности движения**

13. Проверьте, чтобы предохранитель был правильно установлен и не перегорел; для его замены откройте осветительный прибор, выньте жировой фильтр, отвинтите держатель плавкого предохранителя, видимый с левой стороны двигателя, и замените предохранитель на другой с такими же характеристиками (Об.А).
14. Проверьте, чтобы корпус вытяжки был установлен по уровню (рекомендуется воспользоваться уровнем).
15. Убедитесь, что степень натяжения всех четырех тросов одинаковая.

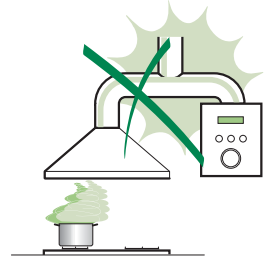
Если указанные действия не позволили устранить проблему, обратитесь в обслуживающий центр.

## TAVSİYELER VE ÖNERİLER

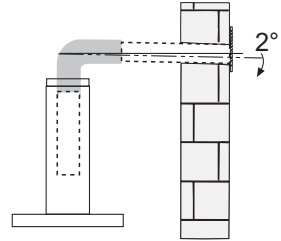
- △ Kullanım talimatları, bu ev aletinin çeşitli modelleri için geçerlidir. Aynı şekilde, bu ürünle ilgisi olmayan özelliklerin tanımlarını da görebilirsiniz.

### MONTAJ

- Yanlış veya hatalı montajdan doğan yaralanma ve hasarlar için imalatçı yükümlü olmayacaktır.
- Pişiricinin üst kısmı ve davlumbaz arasındaki minimum güvenlik mesafesi 650 mm'dir. (Bazı modeller daha alçak mesafeye monte edilebilir, lütfen çalışma boyutları ve montaj paragraflarına bakınız.)
- Ana voltajın davlumbazın iç tarafına sabitlenmiş olan derecelendirme plakasındaki ile uyumlu olduğunu kontrol edin.
- I. sınıf ev aletleri için, ev güç kaynağının yeterli topraklama sağladığından emin olun.



- Aspiratörü egzoz bacasına minimum çapı 120 mm olan bir boru vasıtasıyla bağlayın. Baca hattı mümkün olduğu kadar kısa olmalıdır.
- Davlumbazı tutuşabilir gazlar taşıyan egzoz kanallarına bağlamayın (kazanlar, şömineler, vs.).
  - Eğer davlumbaz elektrikli olmayan ev aletleri ile birlikte kullanılacaksa (ör. gazlı ev aletleri), egzoz gazının geri tepmesini engellemek adına odada yeterli derecede bir havalandırma olması garanti edilmelidir. Temiz havanın girişini garanti etmek adına mutfakta temiz hava girişini sağlayan bir açıklık olmalıdır. Davlumbazın elektrik dışında enerji veren ev aletleri ile birlikte kullanılması durumunda, davlumbazın gazları geri yollamasını engellemek adına odadaki negatif basınç 0,04 barı aşmamalıdır.
  - Güç kablosuna zarar gelmesi durumunda, herhangi bir riski engellemek adına imalatçı veya teknik servis birimince değiştirilmelidir.



- Gaz ocağının montaj talimatlarında yukarıda belirtilenden daha fazla bir mesafe belirtilmişse, buna dikkat edilmesi gerekir. Hava deşarjı ile ilgili yönetmeliklere uyulması gerekir.
- Davlumbazı desteklemek için sadece vida ve küçük parçalar kullanın.  
**Uyarı:** İşbu talimatlar uyarınca vidaları veya sabitleme aletlerini kullanmamak elektrik tehlikelerine yol açabilir.
- Davlumbazı, arasında en az 3mm irtibat mesafesi olan iki kutuplu bir anahtar vasıtasıyla cereyana bağlayın.

## KULLANIM

- Davlumbaz mutfak kokularını gidermek adına ev kullanımı için tasarlanmıştır.
- Davlumbazı asla tasarlandığı amaçlar haricinde kullanmayın.
- Davlumbaz çalışırken altında boşuna yanan yüksek ateş asla bırakmayın.
- Ateş yoğunluğunu sadece tencere altında kalacak ve yanlardan taşmadığından emin olacak şekilde ayarlayın.
- Fritözler kullanım esnasında sürekli izlenmelidir: fazla ısınmış yağ, ateş alabilir.
- Davlumbaz altında flambe yapmayınız; yangın riski.
- Bu ev aleti, 8 yaş üstü çocuklar ve fiziksel, duyuusal veya akli yetersizliği olan veya tecrübe ve bilgi eksikliği olan kişilerce bu kişilerin güvenliğinden sorumlu olan kişilerin gözetimi altında veya ev aletinin kullanımı ile ilgili talimatlar kendilerine verildiği durumlarda kullanılabilir. Çocuklar, ev aleti ile oynamamalıdır. Temizleme ve bakım gözetiminde olmadıklarında çocuklarca yapılmayacaktır.




- “ **DİKKAT:** Pişirme aletleri ile kullanıldıklarında temas edilebilir parçalar ısınabilir.”

## BAKIM

- Herhangi bir bakım işlemine başlamadan evvel ev aletini kapatın veya ana güç kaynağından fişini çekin.
- Belirlenmiş zaman sonunda filtreleri temizleyin ve/veya değiştirin (Yangın tehlikesi).
- Yağ filtreleri her 2 ayda bir veya yoğun kullanım olması durumunda daha sık olarak temizlenmelidir ve bulaşık makinesinde yıkanabilirler.
- Aktif karbon filtresi yıkanabilir değildir, yeniden kullanılamaz ve her 4 ayda bir veya yoğun kullanım olması durumunda daha sık olarak değiştirilmelidir.
- "Temizliğin talimatlara uygun olarak yapılmadığı durumlarda yangın riski vardır."
- Davlumbazı nemli bir bez ve nötr sıvı deterjanla temizleyin.



Ürün üstündeki veya paketindeki  sembolü, bu ürünün evsel atık olarak değerlendirilmeyeceğinin göstergesidir. Elektrikli ve elektronik ekipmanın geri dönüşümü için uygun toplama noktasına teslim edilmelidir. Bu ürünün doğru şekilde bertaraf edildiğinden emin olarak, bu atık ürününün uygun olmayan şekilde işlenmesinden doğacak çevre ve insan sağlığı için potansiyel olumsuz sonuçların engellenmesine yardımcı olacaksınız. Bu ürünün geri dönüşümü ile ilgili daha detaylı bilgi için lütfen yerel yetkili ofisiniz, evsel atık bertaraf hizmeti veya ürünü satın aldığınız mağaza ile irtibata geçiniz.



# ÖZELLİKLER

## Parçalar

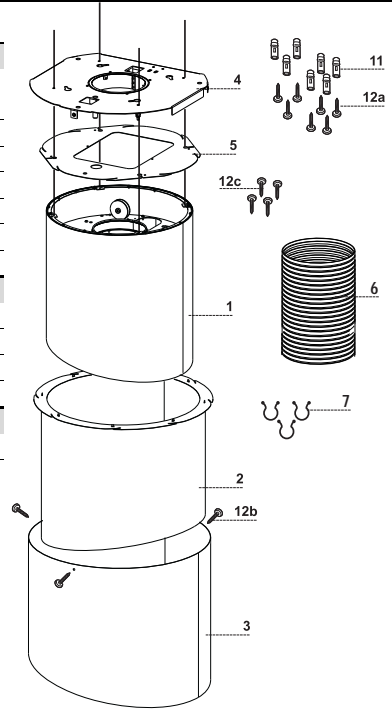
Ref.	Miktar	Ürün Aksamı
1	1	Davlumbaz Gövdesi şunlardan oluşur: Kumandalar, Işıklar, Filtreler, Motor.
2	1	Davlumbaz gövdesi orta
3	1	Davlumbaz gövdesi tavan
4	1	Davlumbaz destek plakası + flanş
5	1	Davlumbaz gövdesi üst panel
6	1	Boru
7	3	Güç kablosunu sabitlemek için klipsler

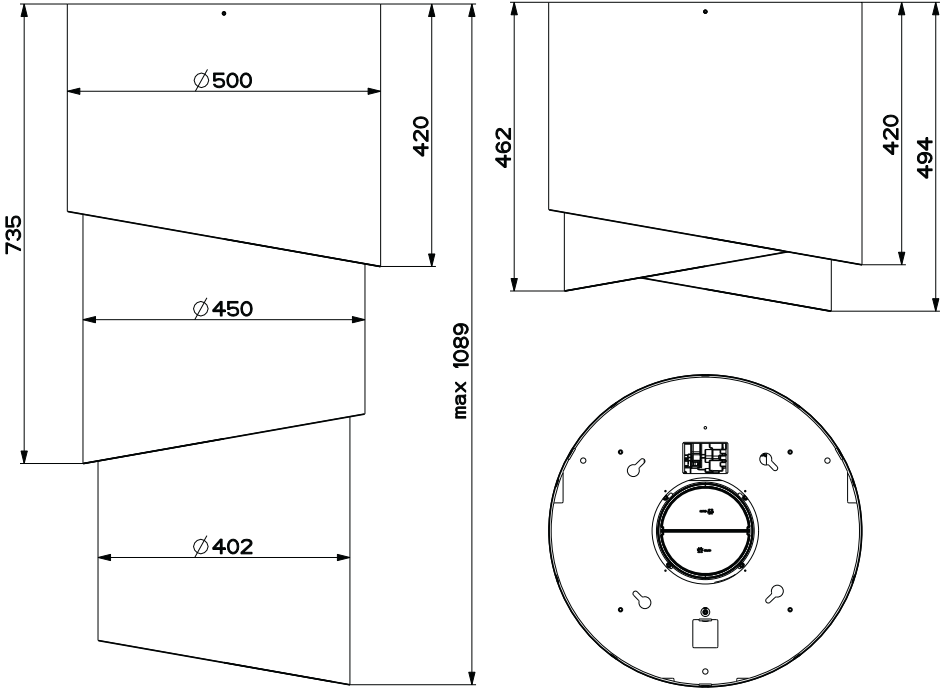
Ref.	Miktar	Kurulum Aksamı
11	7	Dübel ø 10
12a	7	Vida 4,2 x 44,4
12b	3	Sabitleme kulpları
12c	4	Vida 3,5 x 9,5

Miktar	Dokümantasyon
1	Kullanım Kitapçığı



## Boyutlar



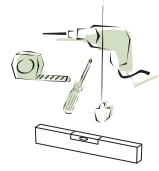
# MONTAJ

Bu Davlumbaz bir Pişirme Düzleminin üzerinde (en az 650 mm) Tavana/Rafa monte edilmek üzere ve aşağıdaki şekilde tasarlanmıştır:

- **Tahliyeli Sistem:** Havayı dışarı atar.

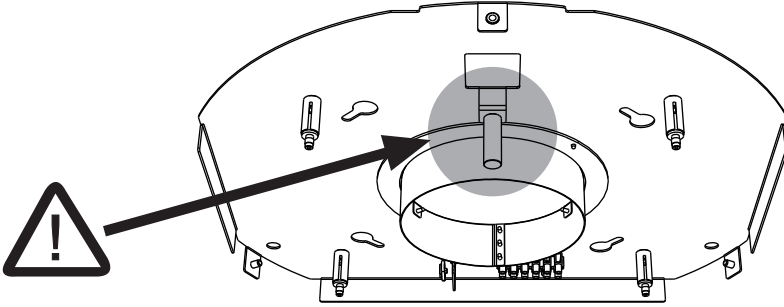
## Kurulum İşlem Sırası

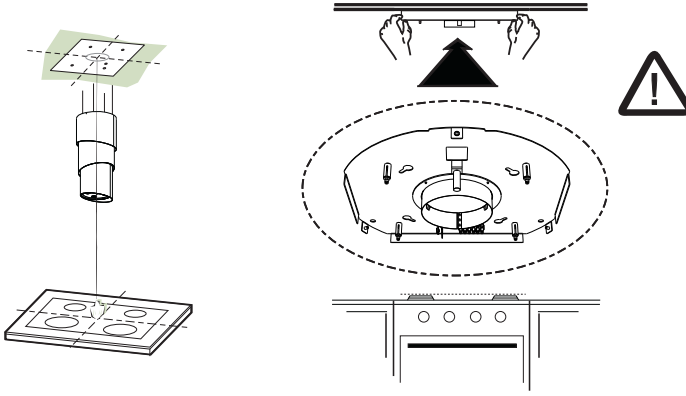
- Kurulum Hazırlığı
- Tavan/Raf Delme ve Montaj Destekleme Plakası
- Bağlantılar
- Davlumbaz Gövdesi Montajı
- Fonksiyon Kontrolü
- Ambalajların Bertaraf Edilmesi



## Plakanın montajı için hazırlık

- Plakayı alın ve şekilde gösterildiği gibi doğru yönde yerleştirin. Mandalin yüzü monte edene bakmalıdır.





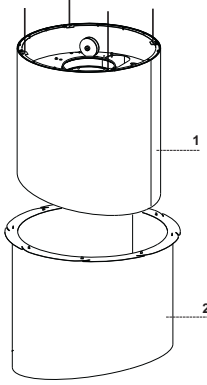
## Tavan/Raf Delme ve Montaj Plakası

### TAVAN/RAF DELME

- Bir şakül yardımıyla Pişirme Düzleminin merkezini destek Tavanı/Rafı üzerinde işaretleyin.
- Şekilde gösterildiği gibi doğru yönde yerleştirmeye özen göstererek Plakayı Tavana/Rafa dayayın.
- Plaka Deliklerinin merkezlerini işaretleyin.
- Aşağıdaki delikleri delin:
  - Sağlam beton tavanda: kullanılan Beton Dübellerine göre.
  - 20 mm'lik dayanıklı kalınlığa sahip hava odacıklı tuğla tavanda:  $\varnothing$  10 mm delik delin (hemen ürünle birlikte gelen Dübelleri **11** yerleştirin).
  - Ahşap Kirişli Tavan: Kullanılan Ahşap Vidalarına göre (temin edilmez).
  - 15 mm'lik dayanıklı kalınlığa sahip Ahşap Rafta:  $\varnothing$  7 mm delik delin.
  - Güç kaynağı elektrik Kablo Geçişi:  $\varnothing$  10 mm delik delin.
- İki vidayı çaprazlama olarak ve tavana 4-5 mm mesafe bırakacak şekilde vidalayın:
  - sağlam Beton için Beton Dübelleri ürünle birlikte temin edilmez.
  - 20 mm dayanıklı kalınlığa sahip hava odacıklı Tuğla için Vidalar **12h** ürünle birlikte temin edilir.
- Ahşap Kirişler için Ahşap Vidaları ürünle birlikte temin edilmez.
- Ahşap Raf için Rondelalı ve Somunlu Vidalar ürünle birlikte temin edilmez.

## SABİTLEME (DAVLUMBAZ GÖVDESİ + DAVLUMBAZ GÖVDESİ ORTA)

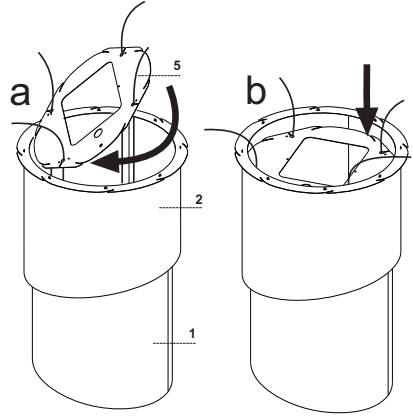
- Davlumbaz gövdesini 1 , orta davlumbaz gövdesinin 2 içine geçirin.



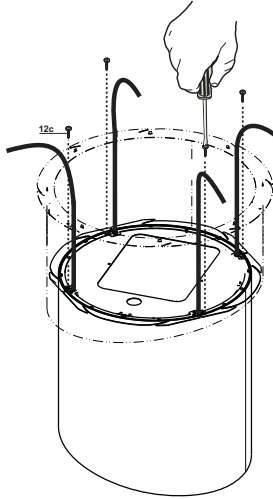
- Davlumbaz gövdesinin üst panelini 5 alın ve şekilde gösterildiği gibi yerleştirin.

### Dikkat

Davlumbaz gövdesinin üst panelini 5 takarken önce bir tarafını, daha sonra yuvarlak taraflarını yerleştirerek takın ve yuvalardan geçmesi gereken kabloları zarar vermemek adına gerekli özeni gösterin.



- Panel davlumbaz gövdesine 1 değene kadar alçaltın ve sonra, birlikte gelen 4 vida 12c vasıtasıyla vidalayın.

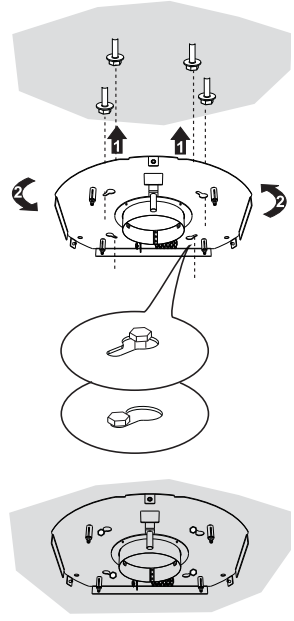


## MONTAJ PLAKASI

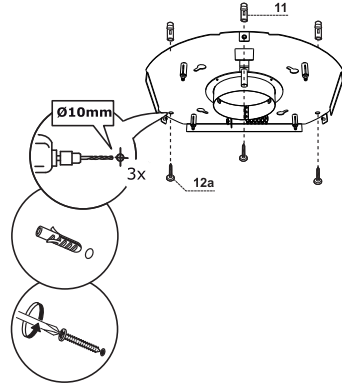
- Montaj plakasını kaldırın ve daha önceden tavana açılmış deliklere iki vidayı yerleştirin ve ayarlama deliğinin ortasına kadar çevirin.

**Dikkat:** Plakanın yönü şekilde gösterildiği gibi olmalıdır.

- İki vidayı sıkın ve ürünle birlikte gelen diğer iki vidayı takın; vidaları iyice sıkmadan önce vidaların ayarlama deliğinin yuvasından dışarı çıkmamasına özen göstererek ve parçayı çevirerek ayarlama işlemlerini gerçekleştirebilirsiniz.
- Montaj işlemi gerek Davlumbazın ağırlığı, gerekse monte edildiği Aparatın olası yanıl hareketlerinin neden olabileceği gerilimler açısından güvenli olmalıdır. Bu nedenle montaj sırasında Plakanın sabit olduğunun kontrol edilmesi gerekir.
- Tavanın, asma noktasında yeterli derecede sağlam olmadığı her durumda, kurulumu yapan kişi burayı uygun plakalarla ve dayanıklı demirlerle güçlendirmelidir.
- Tavandaki dengeleme plakasını kontrol ediniz.



- Uygun görülürse, davlumbazı duvara contalı başka 3 vida ile sabitleyebilirsiniz.



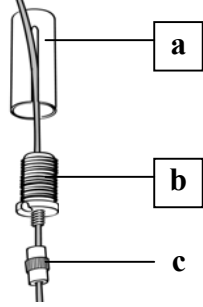
## DAVLUMBAZ-PLAKA KABLO BAĞLANTISI

**NOT** Kurulum işlemine geçmeden önce Davlumbazın bir destekle veya ikinci bir kişinin yardımıyla pişirme düzleminde en az 650 mm yüksekliğe kaldırılması gerekir.

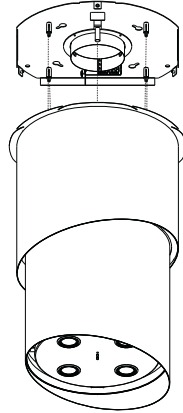
⚠ Bu uygulama gereklidir çünkü Davlumbaz Kablolarının tavana monte edilmiş Plakaya yapıya ağır gelecek Davlumbaz ağırlığı olmaksızın bağlanması **gerekir**.

4 Kablonun montaj sistemi 3 parçadan oluşur:

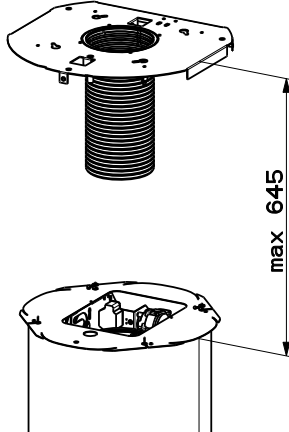
- Tavan Plakasına monte edilmiş dişli mandal (a).
  - Ürünle birlikte gelen kablo tutucu vidalar (b).
  - Ürünle birlikte gelen güvenlik topuzu (c).
- Güvenlik topuzlarını (c) yukarı doğru dişlerle ilgili kablolarla yerleştirin.
  - Kablo sabitleme vidalarını (b) ilgili kablolarla yerleştirin.



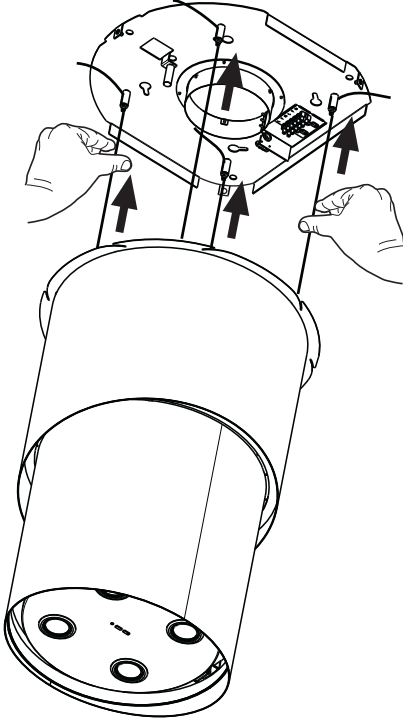
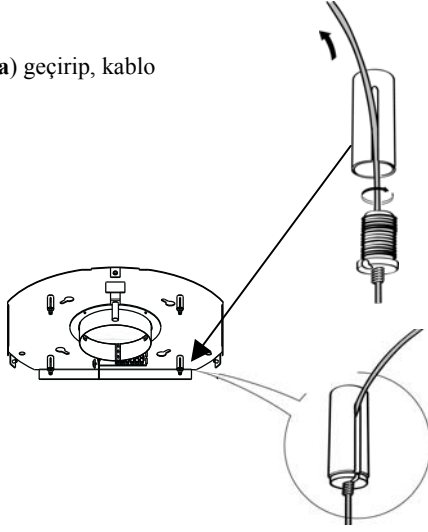
- Tavana monte edilmiş Plakanın yönüne dikkat edin (Plakanın hareket yolu sonu mandalının deliği Davlumbaz gövdesinde bulunur).



⚠ **Dikkat..:** Davlumbazın maksimum hareket etme kapasitesi 645 mm'li geçmelidir



- Kabloları dişli Mandalların deliklerinden (a) geçirip, kablo tutucu Vidaları (b) Mandallara vidalayın.
- İşlem tamamlandığında sonuç 4 Kablonun her biri için şekilde gösterildiği gibi olmalıdır.



- Bu noktaya geldiğimizde 4 Kablonun hepsini Plakaya bağlamış oluruz.

**Kablo tutma Vidalarının içinden ve dişli Mandalların deliğinden dışarı doğru kaydıracak şekilde iterek Kabloları gerginleştirin.**

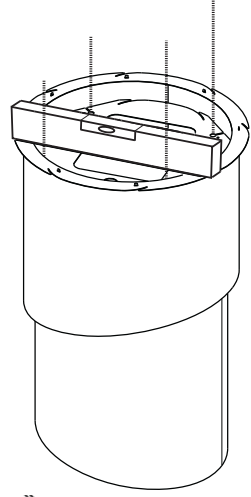
**Kablo tutma Vidalarında içinden geçen kablunun bir yöne kaydırılmasına izin verirken diğer yöne kaydırılmasını engelleyen bir sistem bulunduğundan bunu yapabilirsiniz.**

**Son dengeleme işlemini gerçekleştirmek için Kabloların tümünün aynı uzunlukta olmasına ve sol arka halatın diğerlerinden daha kısa gevşek olmamasına dikkat edin.**



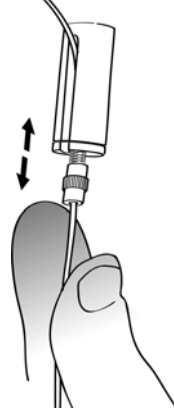
## DAVLUMBAZIN DENGELENMESİ

- Davlumbaz gövdesinin dengelenmesi gerekir.
- Davlumbazın dengeleme işlemi güvenlik Mandal-ları C kullanılarak gerçekleştirilir.



- Bir teraziyi davlumbazın üzerine yerleştirin.

- Güvenlik topuzlarının üzerinde yukarıya doğru baskı uyguladığınızda Kablo hareketinin “kilidi açılır”. Kabloları kablo tutma vidalarından ileri veya geri yönde geçirerek davlumbazın hareketli gövdesini dengelemenize izin veren ayarlama işlemlerini gerçekleştirebilirsiniz.
- Davlumbazı gerektiği gibi dengeledikten sonra güvenlik topuzlarının sıkılması gerekir.

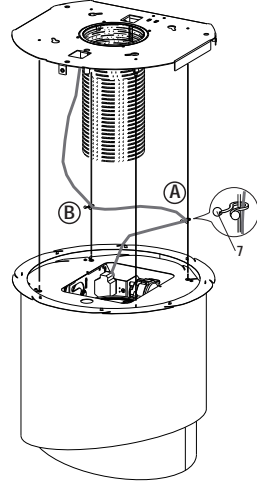


### Dikkat:

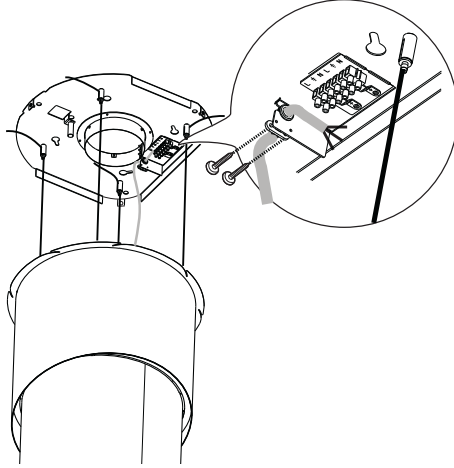
- 4 askı kablosunun her birinin gergin olduğundan emin olun.
- 4 askı kablosunu hiçbirinin kurulum sırasında zarar görmediğinden emin olun.
- Davlumbaz ile pişirici arasındaki minimum mesafenin en az 650 mm olduğu ve maksimum hareket aralığının 645 mm'yi aşmaması gerektiği hatırlanmalıdır.

## GÜÇ KABLOSUNUN MONTAJI

- Elektrik bağlantı kutusu kaynaklı güç elektrik kablosunu, sabitleyici klipsler 7 aracılığıyla önce sağ arka kabloya (A), sonra resimde görüldüğü gibi soldakine (B) kıştırınız.



- Güç kablosunu tavan düzlemine getirin.
- Daha ileride zarar görmesini önlemek için güç kablosunun üstüne geçirilmiş olan kauçuk halkayı yuvasına yerleştirin.
- Ekli dilin yardımıyla askıyı tavan düzlemine sabitleyin.
- Davlumbazı, en az 3 mm kontak açılmalı çift kutuplu anahtarla Şebeke Beslemesine bağlayın.



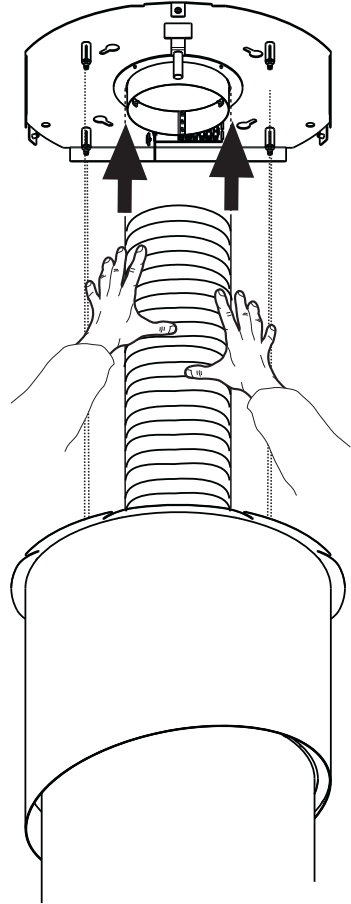
Sonunda hareketli gövde tavana doğru yükselirken kablonun hareketli gövdenin üstünde kaldığını ve davlumbazın sınırlarının dışına çıkmadığını kontrol ederek, güç kablosunun doğru şekilde sabitlendiğinden emin olun.

## Baęlantılar

### TAHLİYELİ SİSTEMDE HAVA ÇIKIŞI

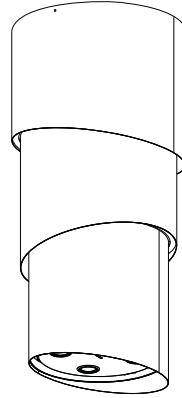
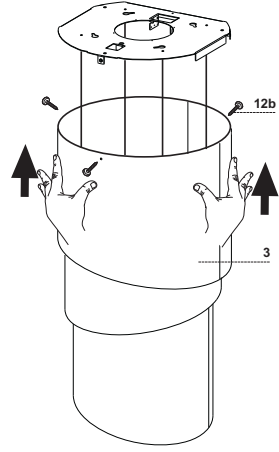
Kanallı modelin montajı için, bacayı tahliye borusuna ø150 mmlik uzayabilir bir boru vasıtasıyla baęlayın.

- Boru kelepçelerini kullanarak boruyu davlumbaz gövdesine ve tavan düzlemindeki flanşa sabitleyin. Gerekli malzeme donanımda mevcuttur.

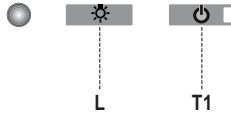


## SABİTLEME (Davlumbaz gövdesi orta + Davlumbaz gövdesi tavan)

- Davlumbazın çalıştığını doğrulamak adına testler gerçekleştirin (Kullanım paragrafına bakınız).
- Gösterildiği yönde olduğuna dikkat ederek, davlumbaz gövdesinin altından tavana doğru **3** , davlumbaz gövdesinin tavanda asılı olan kısmına doğru alttan kaydırın.
- Birlikte gelen 3 vidayı **12b** kullanarak, davlumbaz gövdesini, tavandaki **3** tavan düzlemine sabitleyin.



## Kumanda panosu



Tuş	Fonksiyonu	Gösterge
L	Işıkları Açar/Kapatır.	-
T1	<b>Davlumbaz Aşağıda</b> 2 saniye basılı tutulduğunda Davlumbazı kaldırır. Kısa süreli basıldığında Motoru Açar/Kapatır.	Yanar/Söner
	<b>Davlumbaz Yukarıda</b> İlk basış: Davlumbaz alçalır. İkinci basış: Davlumbaz durur. Hareket durduğunda motor ikinci Hızda açılır.	Söner/Söner

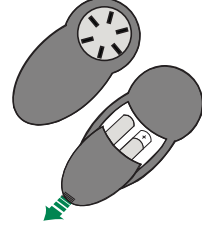
### Elektronik devre iki tip arıza algılar ve ilgili sinyali verir

T1 Ledi	
<b>Yavaş yavaş yanıp söner</b>	<b>Akım çekme eşiği aşılmış:</b> Bu durumda aşırı yüklenme durumu olup olmadığı kontrol edilir, arıza tuş takımı üzerinde <b>T1</b> ledinin her 2 saniyede bir yanıp sönmeye başladığını bildirilir. Davlumbazın hareketi sırasında hiçbir engel bulunmadığından emin olun. Bu sinyal yeni bir Davlumbaz açılma/kapanma komutuna kadar etkin kalır.
<b>Hızlı hızlı yanıp söner</b>	<b>Açılma aşamasında güvenlik mikro anahtarının müdahalesi:</b> Güvenlik mikro anahtarının müdahale etmesi halinde bu arıza <b>T1</b> ledinin hızlı hızlı (her 250ms'de bir) yanıp sönmeye başladığını bildirilir ve Davlumbazın hareket yolunun sonuna ulaştığını bildirir..... <b>Teknik Servisle bağlantı kurun!</b> Bu arıza sırasında davlumbazın fonksiyonlarını (ışıklar ve motor) daima açabilirsiniz ve motor açık olduğunda <b>T1</b> ledi yanıp sönmeye devam ederek arızanın hala devam ettiğini bildirir.

## TELEKUMANDA

Bu cihaza bir telekumanda ile de komut verilebilir; bu kumanda 1,5 Voltluk çinko-karbonlu LR03-AAA tipi standart alkalin pillerle çalışır (dahil değildir).

- Telekumandayı ısı kaynakları yakınında bırakmayınız.
- Pilleri çevreye atmayınız, bunlara ayrılmış çöp toplama kaplarına atınız.



## Kumanda panosu



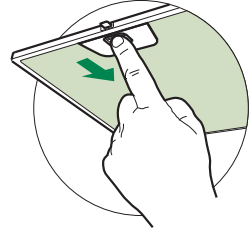
Tuş	Fonksiyonu	Gösterge
	Motor Açma/Kapatma.  <b>Davlumbaz Kapalı:</b> - Bu tuşa kısa süre basıldığında davlumbaz açılmaya başlar - Bir daha basıldığında durur. Hareket durdurulduğunda motor 2. hız kademesinde açılır.  <b>Davlumbaz Açık:</b> - 2 saniye basılı tutulduğunda yükselme hareketi başlar ve hareket yolunun sonunda durur. - Basıldığında (kısa süreli) hareket durur (hareket yolunun sonuna gelmeden). - Daha da kısa süreli basıldığında motoru açar/kapatır. - 2 saniye basılı tutulduğunda yükselme hareketi başlar. - Motor açıksa, önce motor durur, ardından hareket başlar.	-
	Motor Hızının Düşürülmesi.	-
	Motor Hızının Artırılması.	-
	<b>YOĞUN</b> - Yalnızca davlumbaz aşağı inmiş halde ve <b>gecikme</b> veya <b>24h</b> devrede olmadığında kullanılır. - Herhangi bir hızdayken Yoğun kademeyi başlatabilirsiniz. Kapatmak için aynı tuşa tekrar basmanız veya motor kapatmanız yeterlidir. - Yoğun hız kademesi 10 dakika sürelidir. 10 dakikanın sonunda sistem otomatik olarak daha önce ayarlanan hıza geri döner.	Motor tuşunun üzerinde bulunan led (davlumbaz kumandalarında) saniyede 1 kez yanıp söner.
	<b>Gecikme Fonksiyonuna kısa süreli basıldığında:</b> Yalnızca <b>Yoğun</b> veya <b>24h</b> seçenekleri devrede değilken kullanılabilir. 30 dakika sonra davlumbazın tamamen (motor+ışıklar) kapatılmasını devreye alır ve devreden çıkarır. Gecikme fonksiyonunu devre dışı bırakmak için aynı tuşa basın veya motoru kapatın. <b>24H Fonksiyonu 2 saniye basılı tutulduğunda:</b> Yalnızca <b>Yoğun</b> veya <b>Gecikme</b> seçenekleri devrede değilken kullanılabilir. 24 saat boyunca her saatte 10 dakika çalıştırma fonksiyonunu devreye alır ve devre dışı bırakır. Süre dolduğunda devre dışı kalır.	Motor tuşunun üzerinde bulunan led (davlumbaz kumandalarında) saniyede 0,5 saniyede bir yanıp söner.
	Davlumbazın Işıklarını Yakar/Söndürür.	-

## Metal yağ filtresi

Bulaşık makinesinde yıkanabilir, en azından yaklaşık her 2 aylık kullanımdan sonra veya daha sık yıkanması gerekir, özellikle yoğun kullanım içindir.

### METAL YAĞ FİLTRESİ TEMİZLİĞİ

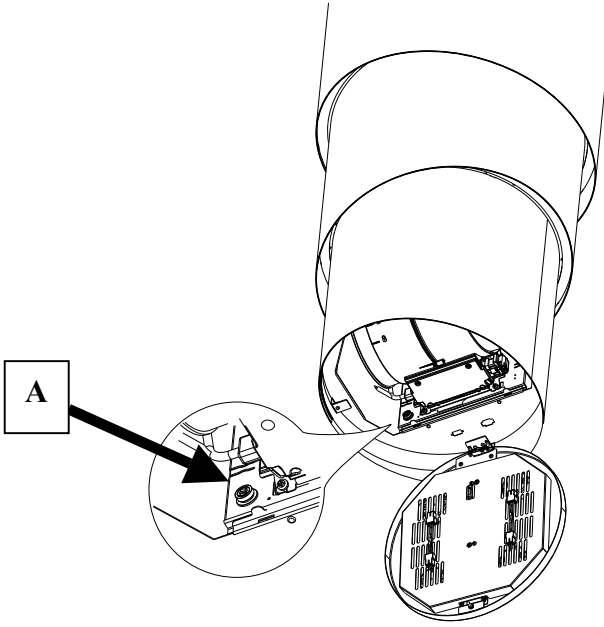
- Aydınlatma grubunu özel girintisinden çekerek açın
- Filtreyi grubun arka bölümüne doğru iterek ve aynı anda aşağıya doğru çekerek çıkartın.
- Bükülmemesine özen göstererek emme panelini yıkayın ve kurmadan önce kurumasını bekleyin.
- Tutamağın dış görünür tarafta olduğuna dikkat ederek filtreleri tekrar monte edin.
- Aydınlatma grubunu tekrar kapatın.



## Aydınlatma

**Dikkat:** Bu cihazda EN 60825-1: 1994 + A1:2002 + A2:2001 normuna uygun olarak 1M sınıfı beyaz LED lamba kullanılmıştır; @439nm'de yayılan azami optik güç: 7µW. Optik aygıtlarla (dürbün, büyüteç....) doğrudan bakmayın.

- Değiştirmek için Teknik Servisle bağlantı kurun. ("Edinmek için teknik servisle bağlantı kurun").



### **Hareket arızası halinde uygulanacak prosedür**

16. Sigortaların doğru şekilde yerleştirilmiş ve sağlam olup olmadığını kontrol edin, değiştirmeniz gerekirse, aydınlatma grubunu açın, yağ filtresini çıkarın ve motor bloğunun sol tarafındaki görünür sigorta yuvasının vidalarını sökerek aynı özelliklerdeki sigortalarla değiştirin (Ref.A).
17. Davlumbaz gövdesinin dengeli bir şekilde monte edildiğinden emin olun (terazi kullanmanız önerilir).
18. Dört halatın dördünün de aynı şekilde gergin olduğundan emin olun.

Yukarıdaki işlemler sorunu gidermezse, Teknik Servisle bağlantı kurun.









CE